

J&O®

J&O FLUID CONTROL CO., LIMITED

Sanitary Stainless Steel Ball Valve

J&O®

J&O FLUID CONTROL CO., LIMITED

Address: Binhai ETDZ, 5 Road, Longwan, Wenzhou, China. 325000

Tel: +86 577 8663 2750

Fax: +86 577 8663 2850

Mob./WhatsApp: +86 186 5778 5727

Site: www.sanitary-valves.com

Email: Info@jo-pv.com

With more than 15 years of market experiences, we have become the leading supplier service for pharmaceutical, chemical, food, Beverage and Lithium battery companies

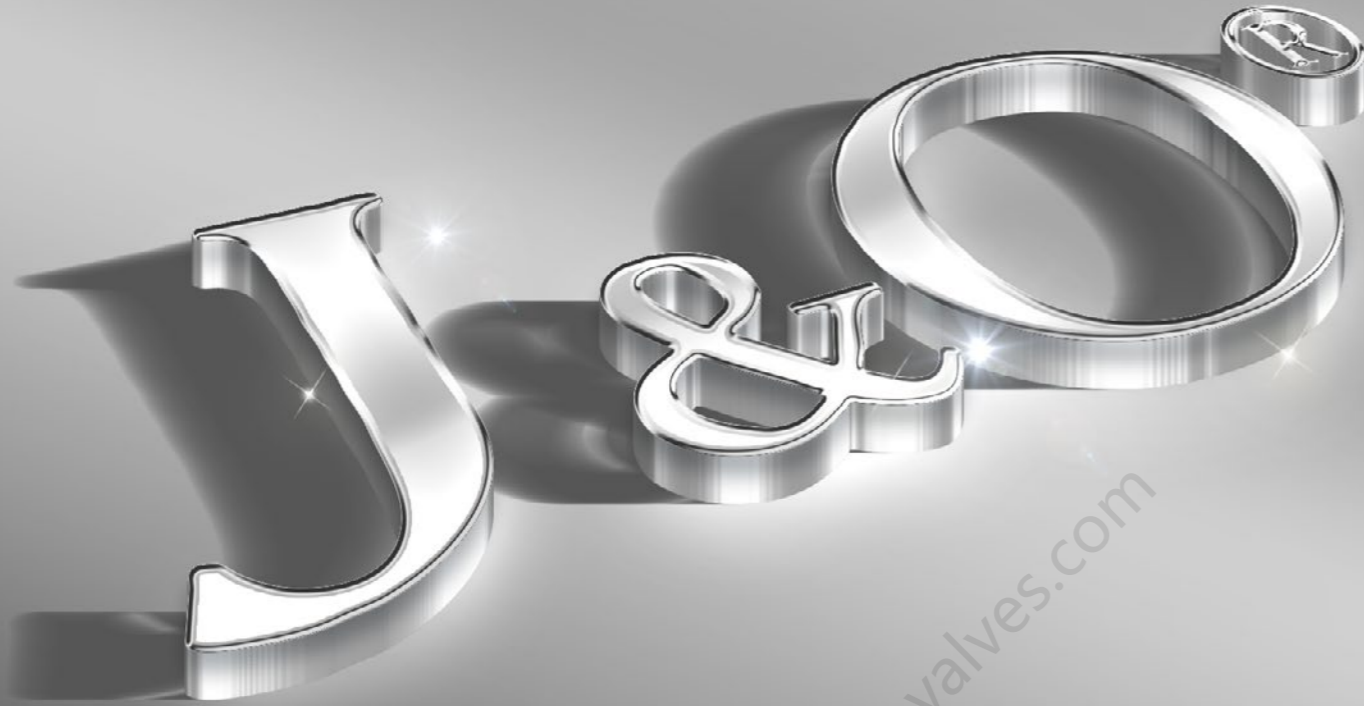


Site Code



WhatsApp Code

J&O BRAND, RELIABLE QUALITY FOR YOU
CE&ISO 9001:2015 CERTIFIED ACQUIRED
15 YEARS FLUID SOLUTION EXPERIENCES
EXPORTING TO OVER 40 COUNTRIES
EXCELLENT VALUE-ADDED SERVICE.



We focus on Details
We Make Different
J&O Brand,that can be trust.

J&O PROFILE

J&O Fluid Control Co., Limited established in 2008, a leading Manufacturer and Supplier of high quality hygienic stainless steel flow control equipments.

J&O services the Food, Dairy, Beverage, Cosmetic, Pharmaceutical, Biological engineering, Lithium battery, Semiconductor, Water treatment, Petroleum and Chemical industries.

J&O product series consists of sanitary stainless steel Valves & Fittings:

- >>Sanitary Stainless Steel Pumps
- >>Sanitary Stainless Steel Valves
- >>Stainless Steel Tank Accessories
- >>Stainless Steel Pipe Fittings
- >>Stainless Steel Flanges
- >>Stainless Steel Double Ferrule Tube Fittings
- >>Hydraulic Pneumatic Quick Coupling
- >>Carbon Steel Pipe Fittings
- >>Customized Valve and Fittings

Through the years, "Perfection" has been the only goal we pursue. In order to satisfy customers, with continuous efforts, we are working towards perfection through a Quality Assurance System. With persistence and effort, we have become one of the leading enterprises of sanitary valves and pipe fittings in China.

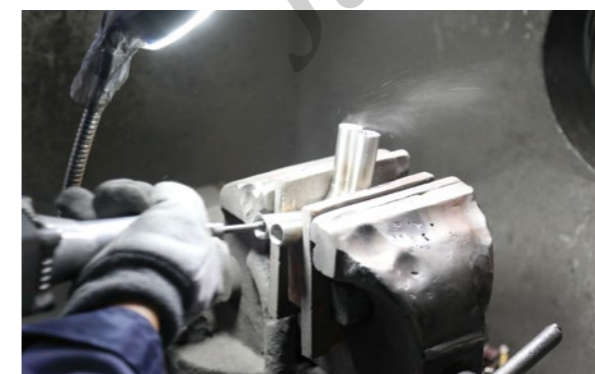
Our organization is dedicated to provide our customers with best service of every aspect. We strongly believe, that the friendship and trust given by our customers, is the great treasure we have.

J&O[®]
J&O FLUID CONTROL CO., LIMITED

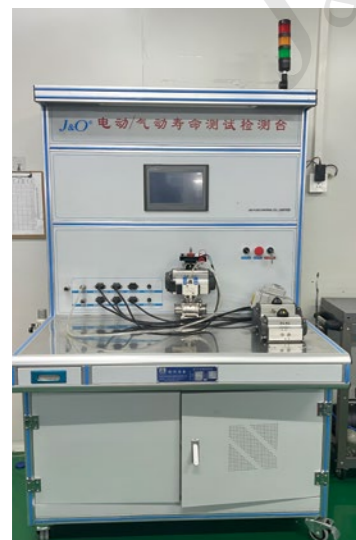
Certificate



Plant & Producing



Testing Machine



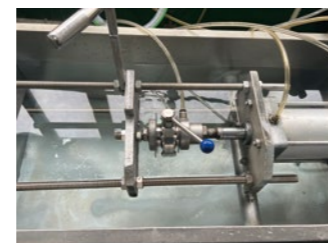
Actuator Testing



Helium Leak Detector



Pressure Test for Large Valve



Pressure Test for Small Valve

Nine-step Technical Process

1.Wax Mould



9.Package



2.Casting Mould



8.Ultrasonic Cleaning



3.Lathe Processing



7.Dust-free Workshop Assembly



4.CNC Processing



5.Mechanical Polishing



6.Ultrasonic Cleaning

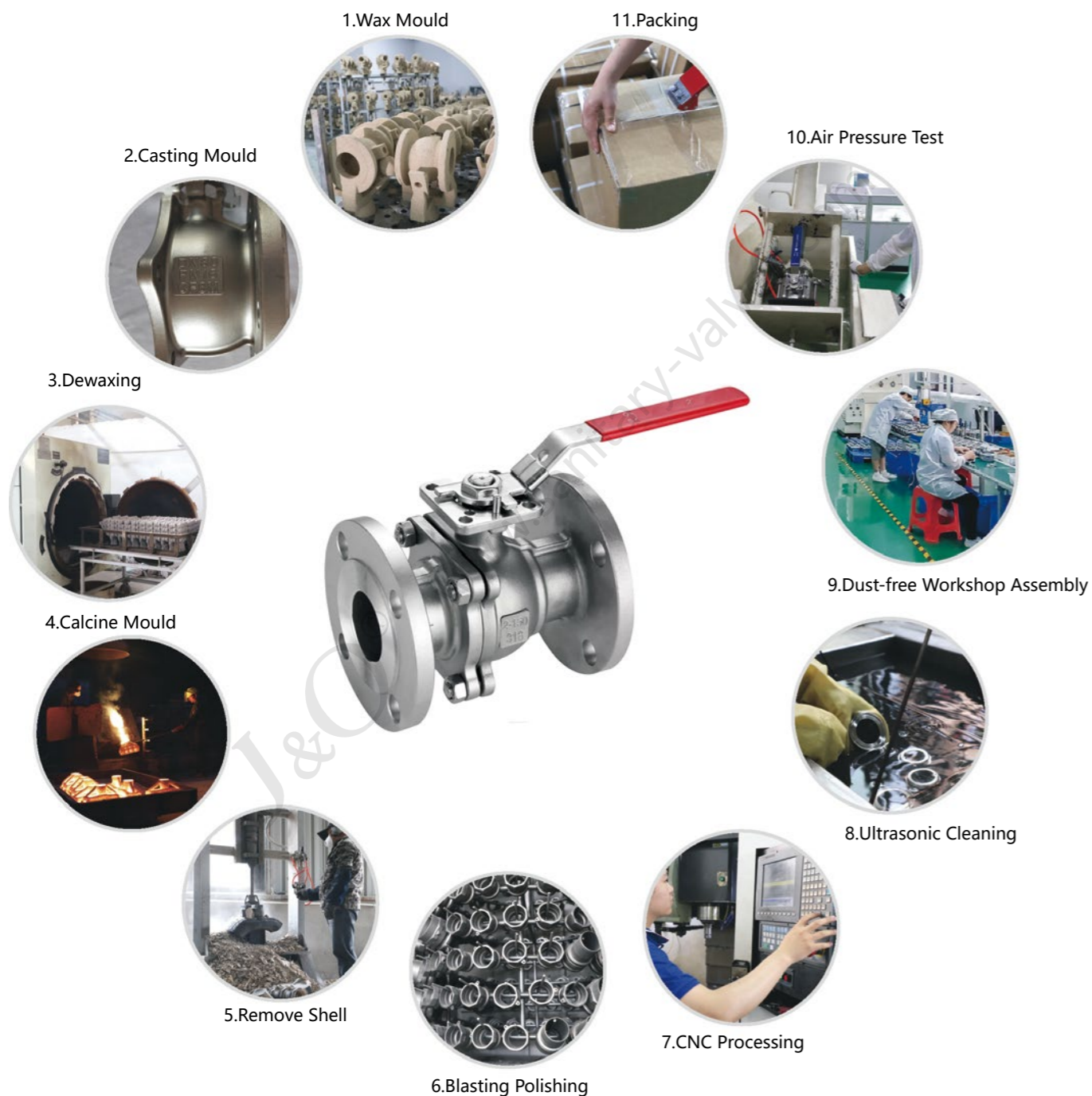
Sanitary Stainless Steel Ball Valve

Our Core Values: Team, Details, Altruism, Innovation and Embrace Change.



Each product goes through 9 production processes with process card, we can clearly know the person in charge of each process, to ensure product quality!

Eleven-step Technical Process



Each product goes through 11 production processes with process card, we can clearly know the person in charge of each process, to ensure product quality!

3PC Ball Valve Encapsulated/ Half Cavity



3PC Encapsulated Ball Valve With ISO Mounting Pad

Applications:

It is applied in food , beverage, wine, pharmaceutical and chemical industries.

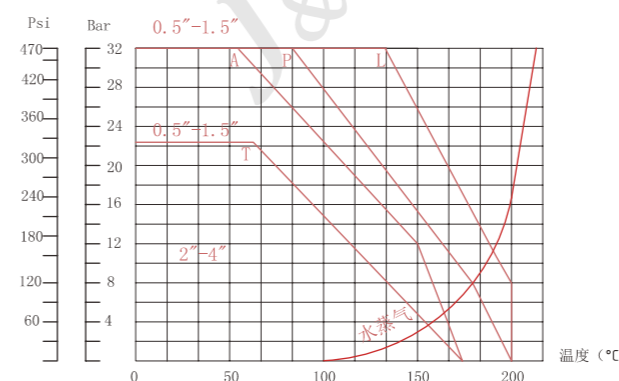
Design Features:

- The design of encapsulated seat with no retention and high cleanliness meets the requirements of CIP SIP sterilization and cleaning.
- Working temperature: -40°C ~+ 150°C
- Working pressure:0-10 bar.
- Available with a variety of actuators,such as electric actuator, stainless steel vertical pneumatic actuator,horizontal pneumatic actuator and can also be equipped with control unit,positioner,position sensor and other compatible automatic control systems.
- The valve body can be changed with different connections, the length will not change.
- Connection: clamp, weld, thread, flange
- Material of the part in contact with medium is 304/316L, other part is 304.
- Sealing material: PTFE, conforming to FDA117.2600
- Size:1/2" -6"/DN15-DN150
- Standards: 3A, DIN, SMS, IDF, RJT, BPE, ISO

Ball Valve Flow Coefficient KV Value

Size	15	20	25	32	40	50	65	80	100	125
KV Value	21	38	72	112	170	273	384	512	940	1452

Pressure And Temperature Curve



T: PTFE
P: C+PTFE
A: PTFE (TFM)
L: PTFE (Virgin peek@)

Note: test under water

Torque 3PC Ball Valve

Size	1/2"-3/4"	1"/DN25	1.25"/DN40	1.5"/DN40	2"/DN50	2.5"/DN65	3"	DN80	4"/DN100
Torque N.M	6-10	10-15	10-15	15-25	20-30	30-45	40-50	40-50	60-70

Add 20% safety torque when use Actuator

Sanitary Stainless Steel Ball Valve

J&O FLUID CONTROL CO., LIMITED



Sanitary Stainless Steel Ball Valve

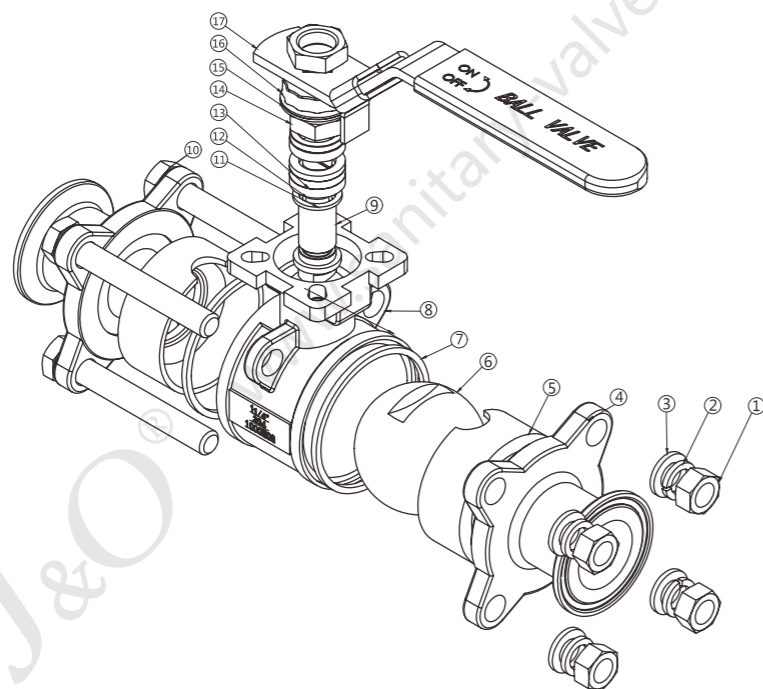
J&O FLUID CONTROL CO., LIMITED



Weld End

Tri-Clamp End

Male End



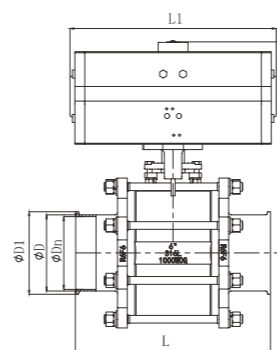
NO	Description	NO	Description
01	Hex Nut	10	Bolt
02	Bolt Elastic Washer	11	Stem Seal
03	Bolt Washer	12	O-Ring
04	Valve End	13	Stem Packing
05	Valve Seat	14	Hex Nut
06	Ball	15	Gland Ring
07	Body Seal	16	Backstop Pad
08	Valve Body	17	Handle
09	Stem		



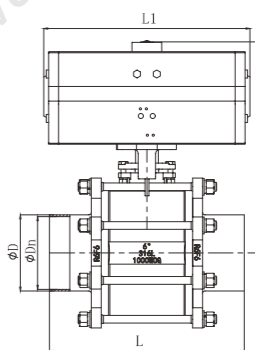
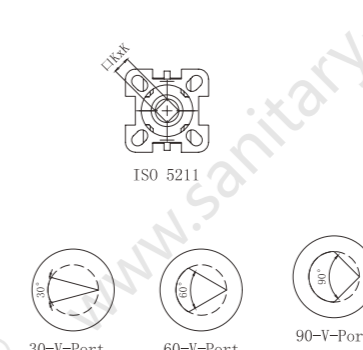
Tri-Clamp Pneumatic 3PC Encapsulated Ball Valve



Clamped Electric 3PC Encapsulated Ball Valve



JOV-BHPA2008E-22



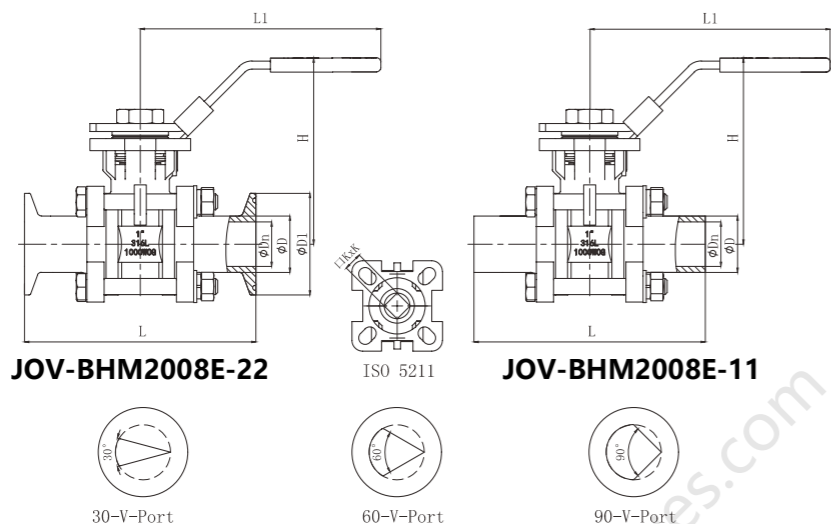
JOV-BHPA2008E-11

Pneumatic 3PC Encapsulated Ball Valve Weld/Clamp End

Double Action	Size	ØDn	ØD	ØD1	L	L1	H	□ K×K
	1/2"	9.4	12.7	25.2	90	155	125	9×9
AT052	3/4"	15.8	19.1	25.2	102	155	131.5	9×9
	1"	22.1	25.4	50.5	115	155	141.5	11×11
AT063	1.25"	28.5	31.8	50.5	125	168	178	11×11
	1.5"	34.8	38.1	50.5	138	168	177.5	14×14
AT075	2"	47.5	50.8	64	156	219	202	14×14
AT095	2.5"	60.2	63.5	77.5	170	249	230	14×14
AT105	3"	72.9	76.2	91	197	274	258	17×17
AT115	4"	97.4	101.6	119	242	315	292.5	17×17
AT125	6"	146.9	152.4	167	394	355	406.5	27×27

Sanitary Stainless Steel Ball Valve

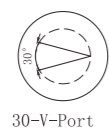
J&O FLUID CONTROL CO., LIMITED



JOV-BHM2008E-22

ISO 5211

JOV-BHM2008E-11



30-V-Port



60-V-Port



90-V-Port

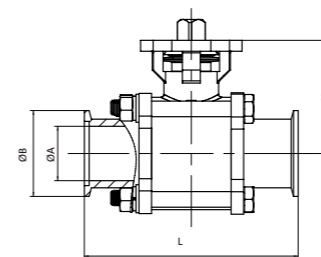
Manual 3PC Encapsulated/Half-Pack Ball Valve (Weld/Clamp)

Size	ØDn	ØD	ØD1	L	L	H	□ K×k
1/2"	9.4	12.7	25.2	90	130	62	9×9
3/4"	15.8	19.1	25.2	102	130	68	9×9
1.0"	22.1	25.4	50.5	115	170	89	11×11
1.25"	28.5	31.8	50.5	125	170	89	11×11
1.5"	34.8	38.1	50.5	138	215	115	14×14
2.0"	47.5	50.8	64	156	215	121	14×14
2.5"	60.2	63.5	77.5	170	215	138	14×14
3.0"	72.9	76.2	91	197	325	155	17×17
4.0"	97.4	101.6	119	242	325	167	17×17
6.0"	146.9	152.4	167	394	680	248	27×27

Size	ØDn	ØD	ØD1	L	L1	H	□ K×k
DN15	15	18	34	90	130	65	9×9
DN20	19	22	34	102	130	69	9×9
DN25	25	28	50.5	115	170	92	11×11
DN32	31	34	50.5	125	170	99	11×11
DN40	37	40	50.5	138	173	118	14×14
DN50	49	52	64	156	173	125	14×14
DN65	66	70	91	170	223	142	14×14
DN80	81	85	106	197	335	153	17×17
DN100	100	104	119	242	335	169	17×17
DN125	125	129	144.5	318	570	205	27×27
DN150	150	154	183	394	680	267	27×27

Sanitary Stainless Steel Ball Valve

J&O FLUID CONTROL CO., LIMITED



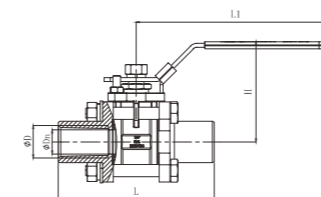
JOV-BH2008E-VC

3PC Vacuum Ball Valve with ISO Mounting Pad

Size	ØA	ØB	L	H
KF10	9.4	30	90	36
KF16	15.8	30	102	42.5
KF25	22.1	40	115	52.5
KF40	34.8	55	138	72.5
KF50	47.5	75	156	79.5

3PC Manual Ball Valve Female End

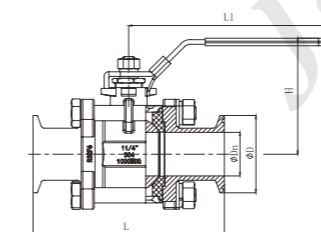
Size	ØDn	ØD	L	L1	H
3/8"	12	BSPT3/8	64	105	56
1/2"	15	BSPT1/2	69	105	56
3/4"	20	BSPT3/4	79	105	62
1.0"	25	BSPT1	90	114	68.5
1.25"	32	BSPT1.25	104	131	76.5
1.5"	38	BSPT1.5	115	169	93
2.0"	50	BSPT2	135	169	99.5



JOV-BHM2006-33N

Three-piece Half-Cavity Manual Ball Valve (Korean Style)

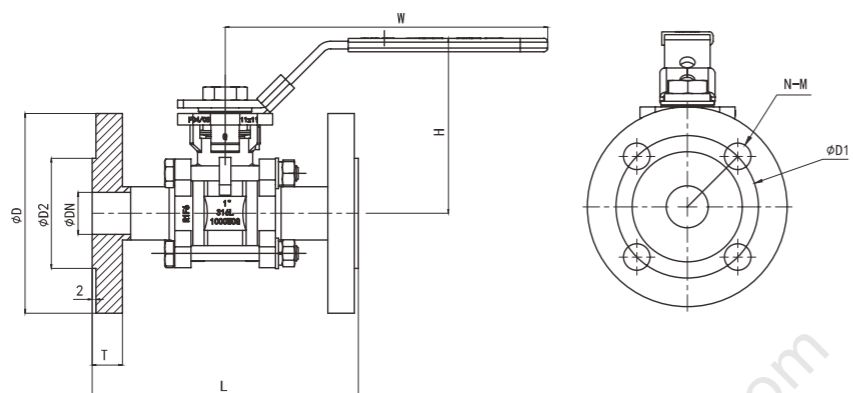
Size	ØDN	ØD	H	L	L1
1/2"	9.4	25.2/50.5	56	90	105
3/4"	15.8	25.2/50.5	60	102	105
1.0"	22.1	50.5	66	110	135
1.5"	34.8	50.5	88	140	170
2.0"	47.5	64	95	164	170
2.5"	60.2	77.5	131	210	210
3.0"	72.9	91	143	220	223
4.0"	97.4	119	164	242	320



JOV-BHM2007S-22

Sanitary Stainless Steel Ball Valve

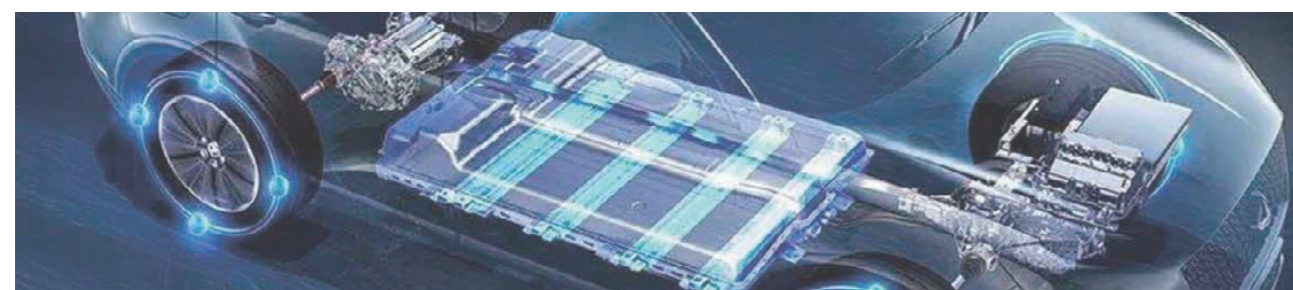
J&O FLUID CONTROL CO., LIMITED



JOV-BHM2008E-44

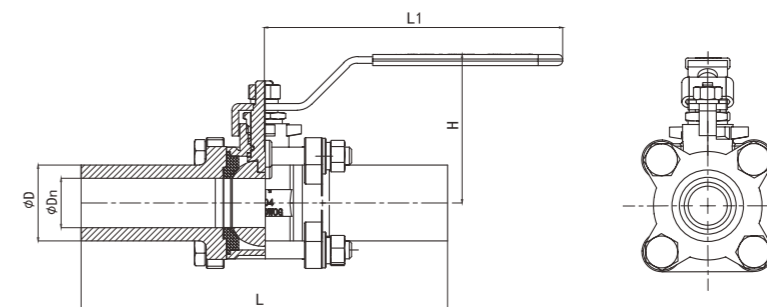
Manual 3PC Ball Valve Flange End with ISO Mounting Pad

Size	L	ØD	ØD1	ØD2	ØDn	T	H	W	N-M	ISO5211
DN15	126	95	65	45	9.4	14	65	170	4-Ø14	F04/F05
DN20	130	105	75	58	15.8	16	91	170	4-Ø14	F04/F05
DN25	143	115	85	68	22	16	98	170	4-Ø14	F04/F05
DN32	170	140	100	78	28.5	18	108	170	4-Ø18	F04/F05
DN40	170	150	110	88	34.8	18	115	215	4-Ø18	F05/F07
DN50	190	165	125	102	47.5	19	125	215	4-Ø18	F05/F07
DN65	234	185	145	122	60.2	20	155	325	8-Ø18	F07/F10
DN80	256	200	160	138	72.9	20	165	325	8-Ø18	F07/F10
DN100	280	220	180	158	97.4	22	173	325	8-Ø18	F07/F10
DN125	335	250	210	188	125	22	220	570	8-Ø18	F10/F12



Sanitary Stainless Steel Ball Valve

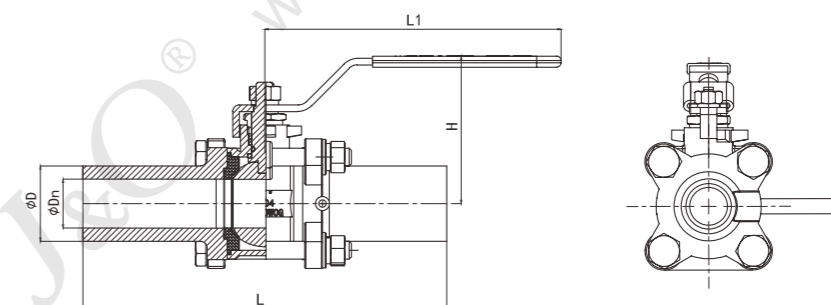
J&O FLUID CONTROL CO., LIMITED



JOV-BHM2007-11

3PC Long Type Manual Ball Valve Weld End

Size	ØDn	ØD	H	L	L1
1/2"	9.4	12.7	56	120	105
3/4"	15.8	19.1	60	156	105
1.0"	22.1	25.4	66	164	135
1.25"	28.5	31.8	78	172	135
1.5"	34.8	38.1	88	194	170
2.0"	47.5	50.8	95	222	170
2.5"	60.2	63.5	131	235	210
3.0"	72.9	76.2	143	248	223
4.0"	97.4	101.6	164	325	320



JOV-BHM2007PG-11

3PC Manual Ball Valve With Purge Port for Vacuum System

Size	ØDn	ØD	H	L	L1
1/2"	9.4	12.7	56	120	105
3/4"	15.8	19.1	60	156	105
1.0"	22.1	25.4	66	164	135
1.25"	28.5	31.8	78	172	135
1.5"	34.8	38.1	88	194	170
2.0"	47.5	50.8	95	222	170
2.5"	60.2	63.5	131	235	210
3.0"	72.9	76.2	143	248	223
4.0"	97.4	101.6	164	325	320

Tank Bottom Ball Valve



Pneumatic Clamped 3PC Tank Bottom Ball Valve



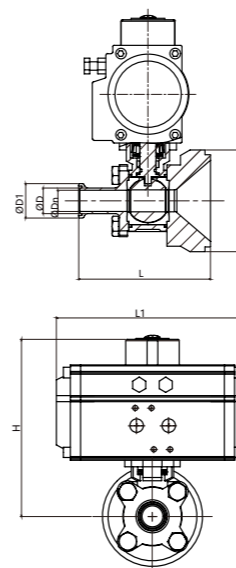
Manual Clamped 3PC Tank Bottom Ball Valve

Applications:

This ball valve with a special tank bottom flange connection, is welded on the tank bottom. The design of contour and radius has effective gravity discharge function. Also the smooth taper hole and the ball closest to the bottom can prevent the medium from staying at the inlet of the valve and make sure of smooth drainage.

Design Features:

- Small fluid resistance, resistance equal to the same length section of pipe
- Simple structure, small volume, light weight
- Easy to operate, open and close rapidly. Only needs to rotate 90° from full open to full close, which is convenient for remote control.
- Easy maintenance, simple structure, convenient disassembly and replacement of seal
- The ball valve is sealed with PTFE. When the ball valve is fully opened or fully closed, the ball and the sealing surface of the valve seat are isolated from the medium. When the medium passes through, the sealing surface will not be eroded.
- Connection: clamp, weld, thread, flange
- Size: 1"-4"
- Standard: 3A, DIN, SMS, IDF, RJT, BPE, ISO

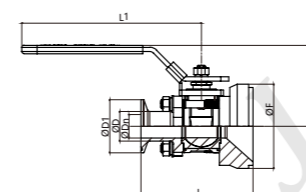


JOV-BHPA2013-2D

Pneumatic 3PC Encapsulated Tank Bottom Valve Weld/Clamp End

Size	ØDn	ØD	ØD1	ØF	L	L1	H
1"	22.1	25.4	50.5	120	106	155	114.5
1.5"	34.8	38.1	50.5	120	125	168	177.5
2"	47.5	50.8	64	150	140	219	202
2.5"	60.2	63.5	77.5	180	155	249	230
3"	72.9	76.2	91	212	176	274	258
4"	97.4	101.6	119	248	210	315	292.5

Size	ØDn	ØD	ØD1	ØF	L	L1	H
DN25	25	28	50.5	120	106	155	114.5
DN40	37	40	50.5	120	125	168	177.5
DN50	49	52	64	150	140	219	202
DN65	66	70	91	180	155	249	230
DN80	81	85	106	212	176	274	258
DN100	100	104	119	248	210	315	292.5



JOV-BHM2013-2D

3PC Manual Encapsulated Tank Bottom Valve Weld/Clamp End

Size	ØDn	ØD	ØD1	ØF	L	L1	H
1"	22.1	25.4	50.5	120	106	170	78
1.5"	34.8	38.1	50.5	120	125	173	98
2"	47.5	50.8	64	150	140	173	107
2.5"	60.2	63.5	77.5	180	155	223	130
3"	72.9	76.2	91	212	176	335	153
4"	97.4	101.6	119	248	210	335	169

Size	ØDn	ØD	ØD1	ØF	L	L1	H
DN25	25	28	50.5	120	106	170	78
DN40	37	40	50.5	120	125	173	98
DN50	49	52	64	150	140	173	107
DN65	66	70	91	180	155	223	130
DN80	81	85	106	212	176	335	153
DN100	100	104	119	248	210	335	169

Butterfly Type Ball Valve



Manual Clamped Butterfly Type Ball Valve



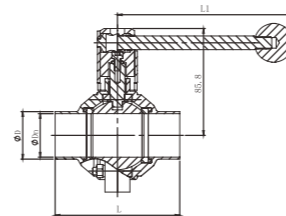
Manual Clamped Butterfly Type Ball Valve With Drain

Applications:

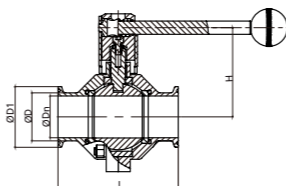
This type of valve is a kind of automatic or manually operated butterfly type ball valve, which is widely used in the fields of food, beverage, wine making, pharmaceutical and chemical industry because it can handle viscous or granular media well.

Design Features:

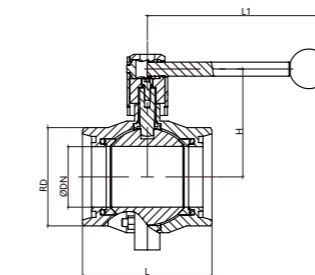
- Small torque moment
- The Handle can be installed on the side of the valve body, regardless of the flow direction.
- It can be equipped with pneumatic and electric actuators.
- CIP cleaning port is available.
- Working temperature: EPDM(-40~+120°C), PTFE(-40~ + 130°C), FPM(-40~ +180°C)
- Pressure of work: 0~ 10bar
- Material of the part in contact with medium is 304/316L, other part is 304. Sealing material: EPDM, VMQ, FPM
- Connection: clamp, weld, thread, flange
- Size: 1/2"-4"/DN15-DN100
- Standards: 3A, DIN, SMS, IDF, RJT, BPE, ISO



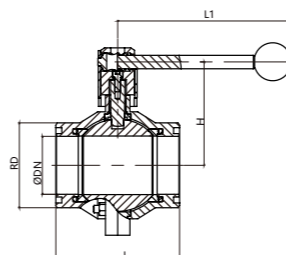
JOV-BHM2005-11



JOV-BHM2005-22



JOV-BHM2005-33W-D



JOV-BHM2005-33W-S

Manual Butterfly Type Ball Valve Weld/Clamp End

Size	ØDn	ØD	ØD1	L	L1	H	□ K×K
1/2"	9.4	12.7	25.2	70	143	60	10×10
3/4"	15.8	19.1	25.2	70	143	60	10×10
1"	22.1	25.4	50.5	85	143	68	10×10
1.25"	28.5	31.8	50.5	85	143	68	10×10
1.5"	34.8	38.1	50.5	100	143	75	10×10
2"	47.5	50.8	64	110	143	85	10×10
2.5"	60.2	63.5	77.5	125	143	107	10×10
3"	72.9	76.2	91	135	186	117	11×11
4"	97.4	101.6	119	170	215	140	14×14

DIN Manual Butterfly Type Ball Valve Male End

Size	ØDn	Rd	L	L1	H	□ K×K
DN15	15	Rd34×1/8	70	143	60	10×10
DN20	19	Rd44×1/6	70	143	60	10×10
DN25	25	Rd52×1/6	85	143	68	10×10
DN32	31	Rd58×1/6	85	143	68	10×10
DN40	37	Rd65×1/6	100	143	75	10×10
DN50	49	Rd78×1/6	102	143	85	10×10
DN65	66	Rd95×1/6	125	143	107	10×10
DN80	81	Rd110×1/4	135	186	117	11×11
DN100	100	Rd130×1/4	170	215	140	14×14

SMS Manual Butterfly Type Ball Valve Male End

Size	ØDn	Rd	L	L1	H	□ K×K
19	15.8	Rd34×1/8	70	143	60	10×10
25	22.4	Rd40×1/6	85	143	60	10×10
32	28.8	Rd48×1/6	85	143	60	10×10
38	35.1	Rd60×1/6	100	143	68	10×10
51	47.8	Rd70×1/6	102	143	85	10×10
63	60.5	Rd85×1/6	125	143	107	10×10
76	73.2	Rd98×1/6	135	186	117	11×11
89	84.9	Rd105×1/6	135	186	117	11×11
101.6	97.6	Rd125×1/4	170	215	140	14×14
101.6	97.6	Rd132×1/6	170	215	140	14×14

New Type Ball Valve



Weld End Ball Valve



Tri-Clamp End Ball Valve



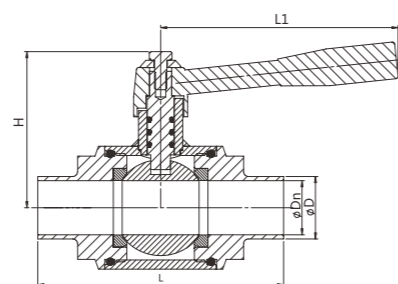
Female Thread End Ball Valve

Applications:

It is widely used in food, beverage, beer, biopharmaceutical, chemical industry and so on.

Design Features:

- There are special texture patterns on the surface, and the forging (extrusion molding at high temperature) process is adopted to make the structural molecules more compact, high strength and more durable.
- Compact structure, 180° switch design, saving space
- Three-segment type, detachable at both ends, easy to disassemble, test and clean.
- Full bore, The medium can pass through uniformly and the stress is uniform
- Connection Type: Clamp, Weld, Thread, Flange
- Material of the part in contact with medium is 304/316L, other part is 304.
- Seal Material: PTFE, conforming to FDA117.2600
- Size: 1/2"-4" / DN15-DN100
- Standard: 3A, DIN, SMS, IDF, RJT, BPE, ISO



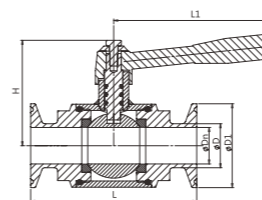
JOV-BHM2002-11

2-way Manual Ball Valve Weld End

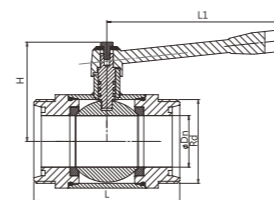
Size	ØDn	ØD	ØD1	L	L1	H
1/2"	9.4	12.7	25.2	75	97	49
3/4"	15.8	19.1	25.2	100	97	53
1"	22.1	25.4	50.5	100	116	64
1.25"	28.5	31.8	50.5	100	116	64
1.5"	34.8	38.1	50.5	116	140	71
2"	47.5	50.8	64	136	175	93
2.5"	60.2	63.5	77.5	165	200	103
3"	72.9	76.2	91	172	200	110
4"	97.4	101.6	119	260	333	151

2-way Manual Ball Valve New Type Clamp End

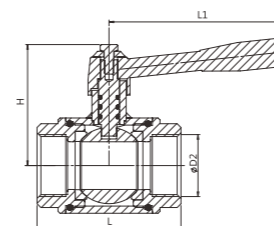
Size	Ø Dn	ØD	ØD1	L	L1	H
DN15	15	18	34	75	97	49
DN20	19	22	34	100	97	53
DN25	25	28	50.5	100	116	64
DN32	31	34	50.5	100	116	64
DN40	37	40	50.5	116	140	71
DN50	49	52	64	136	175	93
DN65	66	70	91	165	200	103
DN80	81	85	106	172	200	110
DN100	100	104	119	260	333	151



JOV-BHM2002-22



JOV-BHM2002-33W



JOV-BHM2002-33N

DIN 2-way Ball Valve New Type Male End

Size	Ø Dn	Rd	L	L1	H
DN15	15	Rd34×1/8	87	97	49
DN20	19	Rd44×1/6	97	97	53
DN25	25	Rd52×1/6	109.5	116	64
DN32	31	Rd58×1/6	108	116	64
DN40	37	Rd65×1/6	116	140	71
DN50	49	Rd78×1/6	136	175	93
DN65	66	Rd95×1/6	165	200	103
DN80	81	Rd110×1/4	180	200	110
DN100	100	Rd130×1/4	210	333	151

2-way Manual Ball Valve New Type Female End

Size	D2			L	L1	H
	G	NPT	BSPT			
1/2"	1/2"	1/2"	1/2"	75.5	97	49
3/4"	3/4"	3/4"	3/4"	75.5	97	53
1"	1"	1"	1"	75.5	116	64
1.25"	1.25"	1.25"	1.25"	94.5	116	64
1.5"	1.5"	1.5"	1.5"	108	140	71
2"	2"	2"	2"	116	175	93
2.5"	2.5"	2.5"	2.5"	136	200	103
3"	3"	3"	3"	165	200	110
4"	4"	4"	4"	180	333	151

Clamp Type Non-Retention Ball Valve



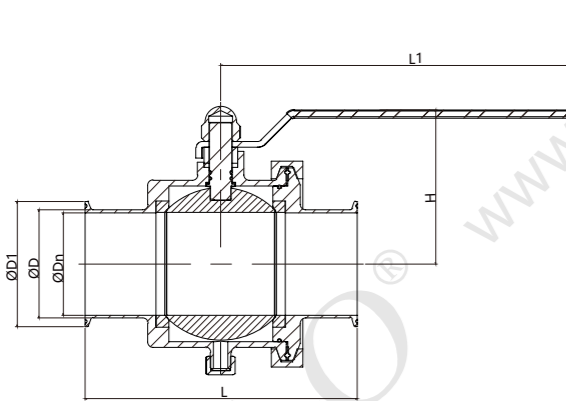
Tri-Clamp No-Retention Ball Valve

Applications:

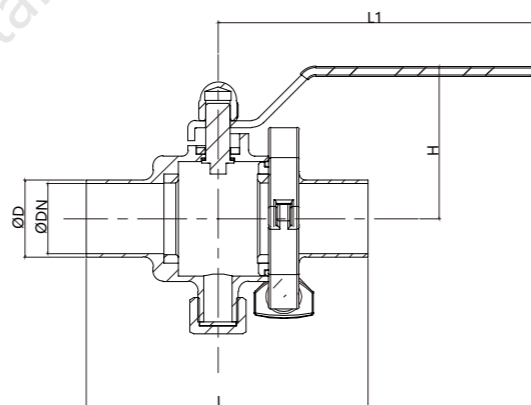
This kind of ball valve is applied to pharmacy and biotechnology industries.

Design Features:

- Valve bodies are combined by clamp.
- Easily disassembled without special tools.
- Small Operating torque.
- With cleaning and drainage port.
- Seal Material: PTFE, conforming to FDA117.2600
- Connection: clamp, weld, thread
- Size: 1/2"-4"/DN15-DN100
- Standard: 3A, DIN, SMS, IDF, RJT, BPE, ISO
- The valve body can be changed with different connections, but the length will not change.



JOV-BHM2004D-22



JOV-BHM2004D-11

3A Manual Clamp Type Non-Retention Ball Valve (Weld/Clamp)

Size	ØDn	ØD	ØD1	L	L1	H
1/2"	9.4	12.7	25.2	90	110	60
3/4"	15.8	19.1	25.2	93	114	62
1"	22.1	25.4	50.5	124	140	63
1.25"	28.5	31.8	50.5	128	140	70
1.5"	34.8	38.1	50.5	139	160	75
2"	47.5	50.8	64	165	175	94
2.5"	60.2	63.5	77.5	190	225	121
3"	72.9	76.2	91	210	250	126
4"	97.4	101.6	119	260	333	147

2-way Ball Valve



Manual Clamped 2-way Ball Valve



Pneumatic (Stainless Steel Actuator) Clamped Direct Way Ball Valve

Applications:

Sanitary direct way ball valve adopts standard electronic polishing, smooth surface to ensure cleanliness, no media accumulation area, no potential pollution. The valve can be assembled and disassembled quickly, so it is easy to open and maintain the valve, which can shorten the shutdown time of the process. It is widely used in food, pharmaceutical, cosmetics, clean steam, beer, beverage, biochemical industrial process control occasions.

Design Features:

- Small fluid resistance
- Simple structure, small volume, light weight and easy maintenance
- Easy to operate, open and close rapidly, only need to rotate 90° from full open to full close.
- When the valve is fully opened or fully closed, the ball and the sealing surface of the valve seat are isolated from the medium and the medium will not cause corrosion to the valve sealing surface when the medium passes.
- Size: 1/2"-4". Φ12.7—Φ101.6
- Connection : Clamp, Weld, Thread, Flange ect.
- Driving mode: Manual , Pneumatic, Electric
- Standard: ISO、DIN、IDF、SMS、3A etc.
- Quality: The inside and outside of the product are treated with high-end polishing equipment to meet the surface precision requirements
- Working Pressure: 0-10Bar
- Working temperature: -40°C ~ +150°C



3-Way Ball Valve



Manual 3-way Ball Valve



Pneumatic 3-way Ball Valve



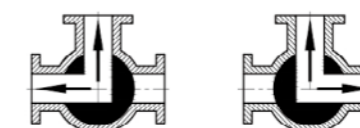
Electric 3-way Ball Valve

Applications:

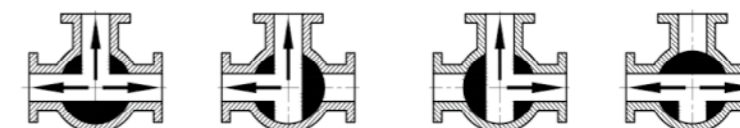
This type of valve is an automatic or manually operated ball valve, which is mainly used in industries such as wine, beverages, dairy, biopharmaceuticals, cosmetics, fine chemicals, electric power, and lithium batteries.

Design Features:

- Simple structure, small size, light weight, no extra space.
- Bright appearance, easy to clean and maintain.
- Small torque, convenient operation and simple maintenance.
- Connection: tri clamp, welding, thread, flange.
- Regardless of the connection, the valve length can be kept the same for easy replacement.
- It can be equipped with pneumatic actuators, electric actuators, intelligent controllers, regulators, etc.
- Material of the part in contact with medium is 304/316L, other part is 304.
- The sealing materials are PTFE, VMQ, EPDM, FPM.
- This type of valve has T-type and L-type for customers to choose to meet the process pipeline layout, as shown in the figure.



T Port Ball



L Port Ball

2-way Ball Valve Clamp End

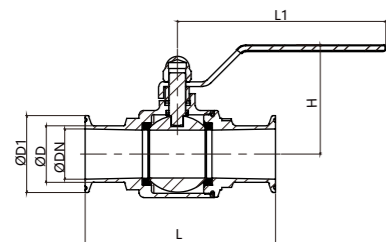
Size	ØDn	ØD	ØD1	L	L1	H
1/2"	9.4	12.7	25.2	75	111	60
3/4"	15.8	19.1	25.2	100	114	62
1"	22.1	25.4	50.5	120	140	65
1.25"	28.5	31.8	50.5	130	140	72
1.5"	34.8	38.1	50.5	140	160	79
2"	47.5	50.8	64	164	175	94
2.5"	60.2	63.5	77.5	189	230	104
3"	72.9	76.2	91	212	246	116
4"	97.4	101.6	119	260	333	151

2-way Ball Valve Clamp End with ISO Mounting Pad

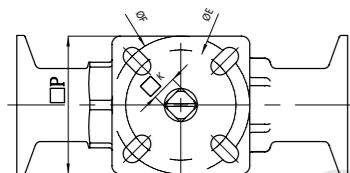
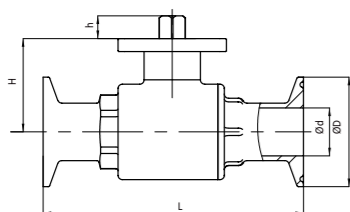
Size	Ød	ØD	ØE	ØF	L	H	h	□K	□P	N.M
3/4"	15.8	50.5	40	50	100	34	9	9	50×50	6
1"	22.1	50.5	40	50	120	43	10.5	9	50×50	9
1.25"	28.5	50.5	40	50	130	47	10	9	50×50	14
1.5"	34.8	50.5	40	50	140	53	10	9	50×50	22
1.75"	42	64	40	50	158	60	12	11	50×50	55
2"	47.5	64	40	50	163	64	12	11	50×50	55
2.5"	60.2	77.5	50	70	190	75	16.5	14	64×64	60
3"	72.9	91	50	70	211	88.5	18	14	64×64	105
3.5"	85	106	70	102	232	100	18	17	90×90	130
4"	97.4	119	70	102	260	125	18.5	17	90×90	165

Jacketed Ball Valve Flange End With ISO Mounting Pad

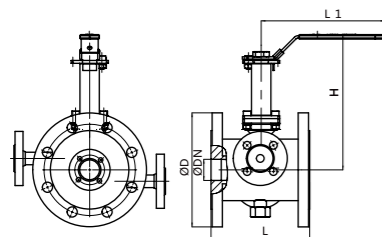
Size	ØDn	ØD	L	L1	H
DN20	19	150	130	130	178
DN25	25	165	140	170	207
DN40	40	200	173	217	237
DN50	50	200	203	217	247
DN80	80	250	240	326	282
DN100	98	285	267	326	300



JOV-BHM2001-22

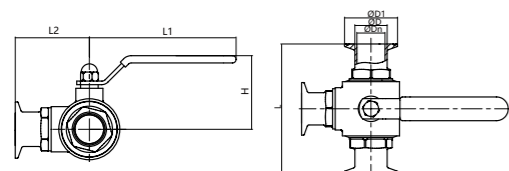


JOV-BH2001-11

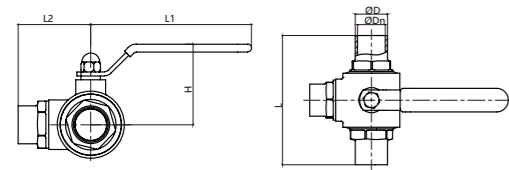


JOV-BHMHPJAC-44

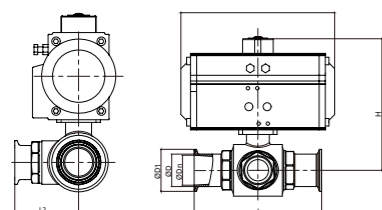
3-way Full Bore Encapsulated Ball Valve



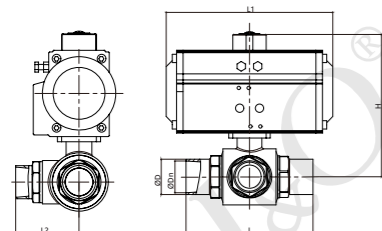
JOV-BHM2009-22



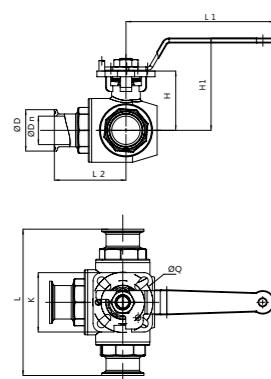
JOV-BHM2009-11



JOV-BHPA2009-22



JOV-BHPA2009-11



JOV-BHM2010-22

3-way Manual Ball Valve Clamp/Weld End

Size	ØDn	ØD	ØD1	L	L1	L2	H
3/4"	15.8	19.1	25.2	101	120	55	59
1"	22.1	25.4	50.5	120	132	61	70
1.25"	28.5	31.8	50.5	130	136	65	73
1.5"	34.8	38.1	50.5	153	160	73	80
2"	47.5	50.8	64	164	178	84	80
2.5"	60.2	63.5	77.5	200	225	101	104
3"	72.9	76.2	91	210	250	105	116
3.5"	84.7	88.9	106	232	268	115	135
4"	97.4	101.6	119	260	300	130	151

3-way Pneumatic Ball Valve Clamp/ Weld End

Size	ØDn	ØD	ØD1	L	L1	L2	H
3/4"	15.8	19.1	25.2	101	155	55	123
1"	22.1	25.4	50.5	120	155	61	132
1.25"	28.5	31.8	50.5	130	168	65	153
1.5"	34.8	38.1	50.5	153	168	73	157
2"	47.5	50.8	64	164	219	84	185
2.5"	60.2	63.5	77.5	200	249	101	211
3"	72.9	76.2	91	210	274	105	236
3.5"	84.7	88.9	106	232	274	115	248
4"	97.4	101.6	119	260	315	130	270

3-Way Full Bore Ball Valve (Korean Type)

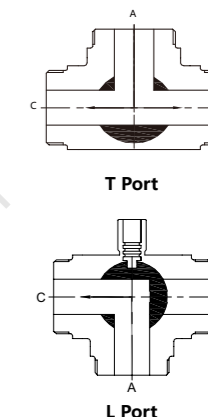
Size	ØDn	ØD	L	L1	L2	H	H1	K
3/4"	16	50.5	122	135	61	42.5	79	42
1"	22.1	50.5	152	135	76	59.5	96	50
1.5"	34.8	50.5	175	181	87.5	72.5	113	71
2"	47.5	64	201	181	100.5	81.5	121	71
2.5"	60	77.5	228	181	114	93	134	71



3-way Full Bore Encapsulated Ball Valve



Pneumatic 3-way Full Bore Encapsulated Ball Valve



Applications:

This kind of valve is widely used in the field of food processing, beverages, wine, biopharmaceutical etc.

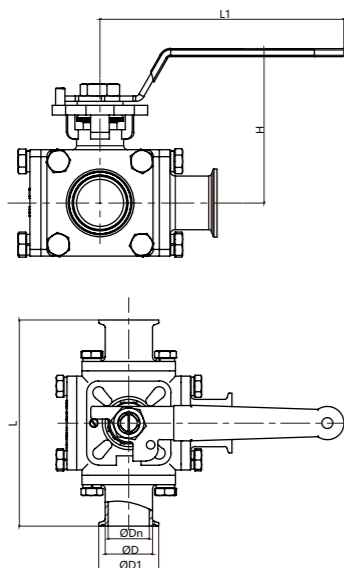
Design Features:

- The design of encapsulated seat with no retention and high cleanliness meets the requirements of CIP SIP sterilization and cleaning.
- Working temperature: -40°C ~+ 150°C
- Working pressure: 0-10 bar
- Seal Material: PTFE, conforming to FDA117.2600
- Connection: Clamp, Weld, Thread
- Control mode: manual, pneumatic, electric
- Size: 1"-4"
- Standard: 3A, DIN, SMS, IDF, RJT, BPE, ISO
- Regardless of the connection, the valve body can be replaced without changing the total length of the valve
- L-type and T-type can be replaced on site, and the direction of inlet and outlet can be combined in any way. Any combination can ensure non-retention and no dead angle.

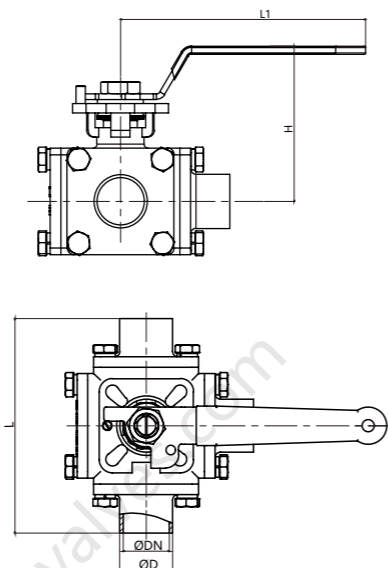
Torque of 3-way Ball Valve

Size	1/2"-3/4"	1"/DN25	1.25"/DN3	1.5"/DN40	2"/DN50	2.5"-3"	DN65	DN80	4"/DN100
Torque/ N.M	10	15	20	25	35	50	75	95	120

Add 20% safety torque when use Actuator



JOV-BHM2011-22



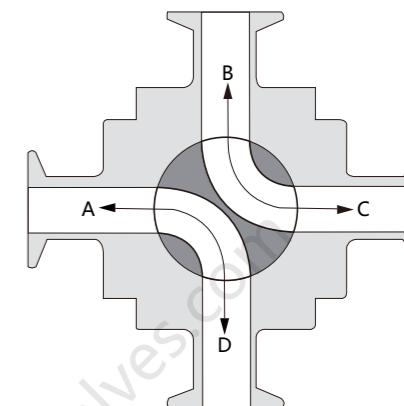
JOV-BHM2011-11

3-way Full Bore Encapsulated Ball Valve Weld/Clamp End

Size	ØDn	ØD	ØD1	L	L1	H
1/2"	9.4	12.7	25.2	118	135	77
3/4"	15.8	19.1	25.2	127	135	78
1"	22.1	25.4	50.5	152	135	95
1.25"	28.5	31.8	50.5	174	181	113
1.5"	34.8	38.1	50.5	174	181	113
2"	47.5	50.8	64	204	181	121
2.5"	60.2	63.5	77.5	227	181	135
3"	72.9	76.2	91	262	389	132
4"	97.4	101.6	119	319	489	149

Size	ØDn	ØD	ØD1	L	L1	H
DN15	15	18	34	118	135	77
DN20	19	22	34	127	135	78
DN25	25	28	50.5	152	135	95
DN32	31	34	50.5	174	181	113
DN40	37	40	50.5	174	181	113
DN50	49	52	64	204	181	121
DN65	66	70	91	227	181	135
DN80	81	85	106	262	389	132
DN100	100	104	119	319	489	149

"LL" 4 Way Full Bore Encapsulated Ball Valve



Applications:

It can be applied to the pipeline system in the industries of food, wine, brewery, oil refining, cosmetics, pharmaceuticals and chemicals that requires non-retention and simultaneous switch of flow directions of two media.

Design Features:

- This series of valves can be equipped with a variety of drive devices.
- Working principle of medium flow direction of this series of valves:
 - Previously, four valves were required for water supply. Valves A and D were opened and valves B and C were closed during water supply. During reverse water supply, valves B and C were opened, and valves A and D were closed. But now only one valve can take place of the four, which is easy to operate.
- features of this series of valves:
 - Small fluid resistance: The cross section of the ball, valve body and connecting pipe are all equal, and the ball channel is arc design, when the medium passes through the valve, the fluid resistance is small.

- Good sealing performance: The valve seat is made of PTFE material with a certain elastic deformation and high strength to reach the good sealing performance. That ensures the stability of the valve.
- Long service life: Overall material of the valve is sanitary authentic stainless steel and the material of the valve seat is PTFE, which can reach the good effect of corrosion resistance and extend the service life of the valve.
- Non-retention design: high-quality PTFE encapsulated structure is selected for sealing. The PTFE valve seat is in close contact with the ball and the valve body, so as to achieve the function of non-retention.

1PC Thread Ball Valve



Technical Specification

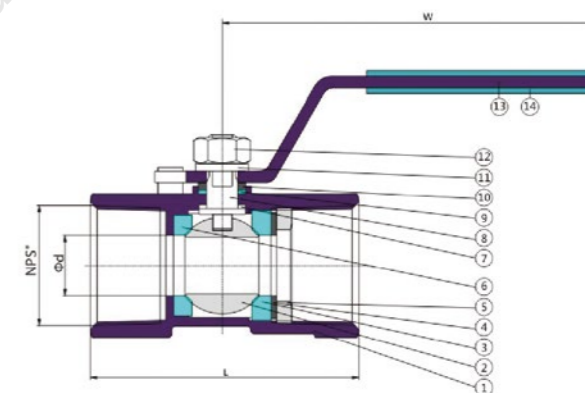
1. Design and manufacture: ASME B16.34 ;
2. Face to face: factory's standard
3. Test and Inspection: API 598
4. After test empty the medium, dry the body and cover the 2 sides of the valve.

Performance Table

Nominal Pressure: 4.0Mpa
 Strength test: 6.0Mpa
 Seal test: 4.4Mpa
 Air seal test: 0.4~0.7Mpa
 Applicable temperature: -29°C ~150°C
 Applicable Medium: water, gas, oi

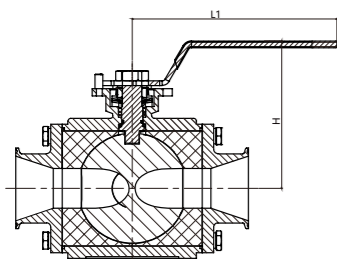
Parts Material List

NO	Part Name	Material
01	Body	WCB/CF8/CF8M
02	Ball	304/316
03	Seat	PTFE/RPTFE/PPL
04	Seat	PTFE
05	Washer	201/304
06	Seat	PTFE/RPTFE/PPL
07	Thrust Washer	PTFE
08	Stem	304/316
09	Stem Packing	PTFE
10	Gland	A193-B8
11	Spring Washer	A193-B8
12	Nut	A194-2H
13	Handle	201/304
14	Handle Cover	PVC



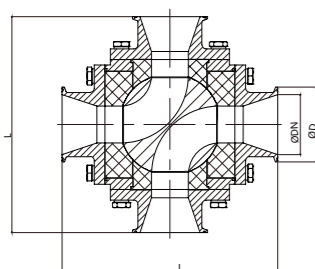
JOV-BGM2203

NPS	DN	L	d	W
1/4"	8	40	5	95
3/8"	10	48.5	7	95
1/2"	15	56	9	95
3/4"	20	58	12	115
1"	25	71	15	135
1-1/4"	32	87.5	20	150
1-1/2"	40	96.5	25	160
2"	50	109	32	180

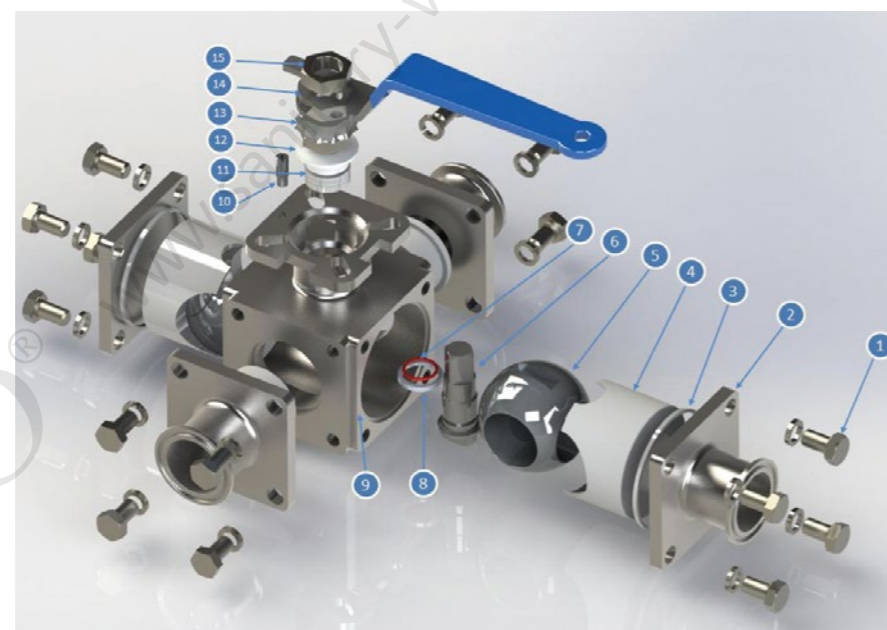


"LL"4 Way Full Bore Encapsulated Ball Valve Clamp End

Size	ØDn	ØD	ØD1	L	L1	H
1"	22.1	25.4	50.5	174	181	113
1.25"	28.5	31.8	50.5			
1.5"	34.8	38.1	50.5			
2"	47.5	50.8	64			
2.5"	60.2	63.5	77.5			
3"	72.9	76.2	91			
4"	97.4	101.6	119			



JOV-BHM2012-22



NO	DESCRION
01	Bolt
02	Valve End
03	Seal Ring
04	Valve Seat
05	Valve Ball
06	Valve Stem
07	O Ring
08	Seal Ring
09	Valve Body
10	Spacer Pin
11	Stem Packing
12	Gland Ring
13	Back Stop Pad
14	Valve Handle
15	Nut

2PC Thread Ball Valve (Octagon Type)



Parts Material List

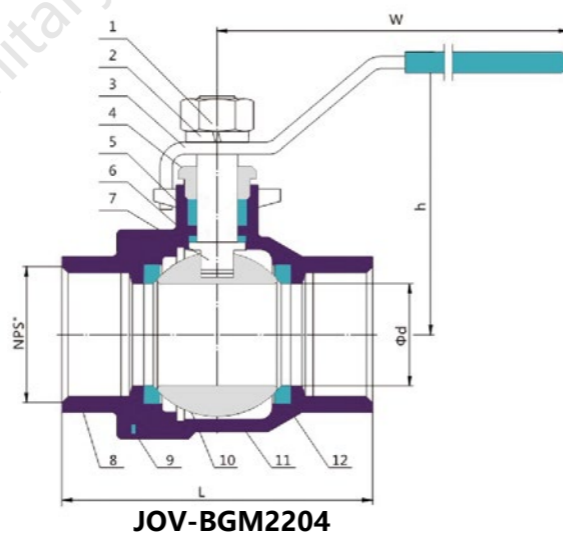
NO	Name	Material
1	Nuts	A194-2H
2	Spring Washer	201/304
3	Handle	201/304
4	Packing Sleeve	201/304
5	Packing	PTFE
6	Thrust Washer	PTFE
7	Stem	304/316
8	Cap	WCB/CF8M/CF8
9	Seal	PTFE
10	Ball	304/316
11	Body	WCB/VF8M/CF8
12	Seat	PTFE/RPTFE/PPL

Technical Specification

- Design and manufacture: ASME B16.34 ;
- Face to face: factory's standard
- Test and Inspection: API 598
- After test empty the medium, dry the body and cover the 2 sides of the valve.

Performance Table

Nominal Pressure: 4.0Mpa
 Strength test: 6.0Mpa
 Seal test: 4.4Mpa
 Air seal test: 0.4~0.7Mpa
 Applicable temperature: -29°C ~150°C
 Applicable Medium: water, gas, oil



NPS	DN	L	d	W
1/4"	8	48.5	10	45
3/8"	10	48.5	11.5	45
1/2"	15	53.5	14	53
3/4"	20	62	20	60
1"	25	73	24	67
1-1/4"	32	87.5	31	77
1-1/2"	40	96.5	38	90
2"	50	109	48	98
2-1/2"	65	147	64	120
3"	80	169	76	134
4"	100	205	98	159

NPS	DN	L	d	W	h
1/2"	15	58	14	95	53
3/4"	20	66	20	115	60
1"	25	76	24	135	67
1-1/4"	32	91	31	150	77
1-1/2"	40	100	38	160	90
2"	50	124	48	180	98

2PC Thread Ball Valve (Hex Type)



Parts Material List

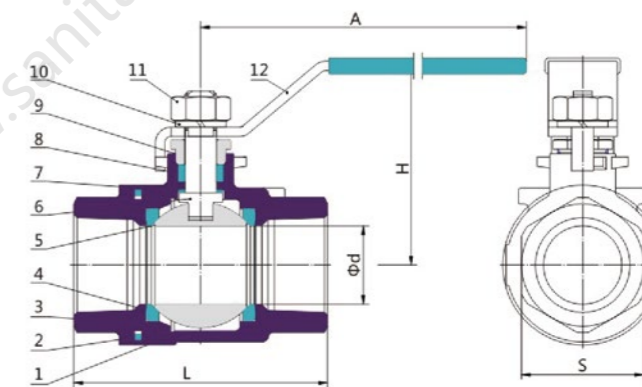
NO	Name	Material
1	Hexagon Nut	A194-2H
2	Spring Gasket	201/304
3	Handle	201/304
4	Packing Sleeve	201/304
5	Packing	PTFE
6	Thrust Washer	PTFE
7	Stem	304/316
8	Cap	WCB/CF8/CF8M
9	Seal Gasket	PTFE
10	Ball	304/316
11	Body	WCB/CF8M/CF8M
12	Seat	PTFE/RPTFE/PPL

Technical Specification

- Design and manufacture: ASME B16.34;
- Face to face: factory's standard
- Test and Inspection: API 598
- After test, empty the medium, dry the body and cover the 2 sides of the valve

Performance Table

Pressure: 4.0Mpa
 Strength test: 6.0Mpa
 Seal test: 4.4Mpa
 Air seal test: 0.4-0.7Mpa
 Applicable temperature: -29°C ~150°C
 Applicable Medium: water, gas, oil



NPS	DN	L	H	D	S	A
1/2"	15	61	55	15	26	102
3/4"	20	72	65	20	32	120
1"	25	82	65	25	39	130
1-1/4"	32	96	78	32	48	145
1-1/2"	40	105	91	38	54	170
2"	50	118	107	49	67	185
2-1/2"	65	150	125	64	82	230
3"	80	165	145	78	95	260
4"	100	200	165	98	124	300

NPS	DN	L	H	D	S	A
1/4"	10	48.5	48	11	20	90
3/8"	12	48.5	48	11	20	90
1/2"	15	56	55	15	25	102
3/4"	20	65	65	20	31	120
1"	25	73	65	25	38	130
1-1/4"	32	80	78	32	48	145
1-1/2"	40	95	91	38	54	170
2"	50	110	107	49	67	185

2PC Thread Ball Valve with ISO Mounting Pad



Parts Material List

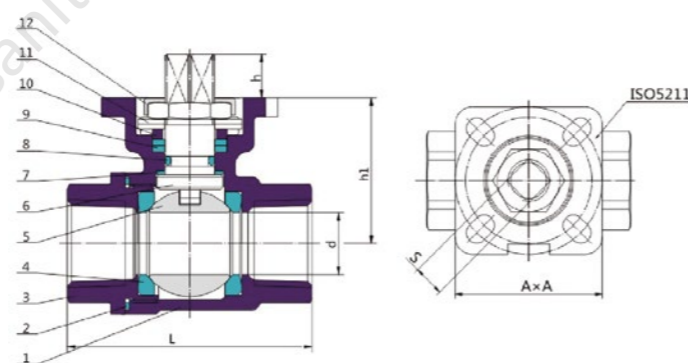
NO	Name	Material
1	Body	WCB/CF8M/CF8
2	Seal Gasket	PTFE
3	Cap	WCB/CF8/CF8M
4	Seat	PTFE/RPTFE/PPL
5	Ball	304/316
6	Stem	304/316
7	Thrust Washer	PTFE
8	O Ring	NBR/VION
9	Packing	PTFE
10	Packing Gland	201/304
11	Disc Spring	SS
12	Loosen Resistant Cover	A194-2H

Technical Specification

- Design and manufacture: ASME B16.34 ;
- Face to face: factory's standard
- Test and Inspection: API 598
- After test, empty the medium, dry the body and cover the 2 sides of the valve

Performance Table

Pressure: 4.0Mpa
 Strength test: 6.0Mpa
 Seal test: 4.4Mpa
 Air seal test : 0.4-07Mpa
 Applicable temperature: -29°C ~150°C
 Applicable Medium: water, gas, oil



JOV-BG2205

NPS	DN	D	L	H	h	b	E	S	L1
1/2"	15	15	59	10.5	35	125	F03/F04	42	9
3/4"	20	20	66	10.7	39	125	F03/F04	42	9
1"	25	25	80	11	46	135	F04/F05	50	11
1-1/4"	32	32	90	11.5	52	150	F05/F07	50	11
1-1/2"	40	38	103	17	63	160	F05/F07	70	14
2"	50	49	117	17	73.5	180	F05/F07	70	14
2-1/2"	65	64	147	20	94.5	260	F07/F10	96	17
3"	80	76	169	20	103.5	260	F07/F10	96	17
4"	100	98	204	22.5	122	300	F07/F10	96	19

3PC Thread/Weld Ball Valve Heavy Type



Parts Material List

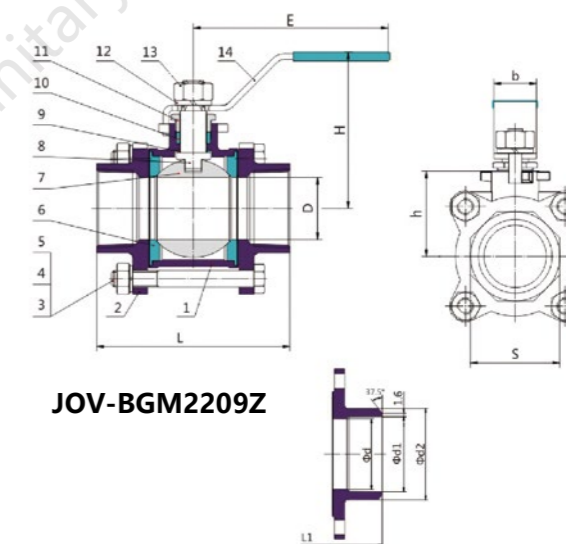
NO	Name	Material
1	Body	WCB/CF8M/CF8
2	Cap	WCB/CF8M/CF8
3	Bolt	A193-B8
4	Hexagon Nut	A194-2H
5	Spring Gasket	201/304
6	Seat	PTFE/RPTFE/PPL
7	Ball	304/316
8	Stem	304/316
9	Thrust Washer	PTFE
10	Packing	PTFE
11	Packing Sleeve	201/304
12	Spring Gasket	201/304
13	Hexagon Nut	A194-2H
14	Handle	201/304

Technical Specification

- Design and manufacture: ASME B16.34
- Face to face: factory's standard ;
- Test and Inspection: API 598
- The butt end according to ASME B16.25,
- After test, empty the medium, dry the body and cover the 2 sides of the valve.

Performance Table

Nominal Pressure: 4.0Mpa
 Strength test: 6.0Mpa
 Seal test: 4.4Mpa
 Air seal test: 0.4~0.7Mpa
 Applicable temperature: -29°C ~150°C
 Applicable Medium: water, gas, oil



JOV-BGM2209Z

NPS	DN	D	L	H	h	b	E	S	L1	d	d1	d2
1/4"	8	11	75	54	27.5	16	100	27	66	11	11	18
3/8"	10	11	75	54	27.5	16	100	27	68	12.5	14	20
1/2"	15	15	75	54	27.5	16	100	27	72	15	17	23
3/4"	20	20	83	60	32	18	115	32	84	20	24	29
1"	25	25	90	65	36	20	125	40	93	25	27	35
1-1/4"	32	32	108	91	48.5	26	170	48	110	32	35	43
1-1/2"	40	38	118	95	52	26	170	54.5	120	38	44	50
2"	50	50	145	106	62	28	185	68	143	49	54	64
2-1/2"	65	65	177	128	76	32	235	87	185	65	69	78
3"	80	80	209	139	87	32	260	104	215	80	84	92
4"	100	100	267	166	115	34	300	129	269	100	104	112

3PC Thread/Weld Ball Valve



Parts Material List

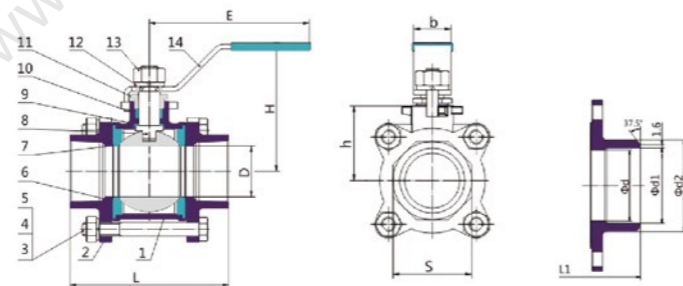
NO	Name	Material
1	Body	WCB/CF8M/CF8
2	Cap	WCB/CF8M/CF8
3	Bolt	A193-B8
4	Hexagon Nut	A193-2H
5	Spring Gasket	201/304
6	Seat	PTFE/RPTFE/PPL
7	Ball	304/316
8	Stem	304/316
9	Thrust Washer	PTFE
10	Packing	PTFE
11	Packing Gland	201/304
12	Spring Gasket	201/304
13	Hexagon Nut	A194-2H
14	Handle	201/304

Technical Specification

- Design and manufacture: ASME B16.34 ;
- Face to face: factory's standard
- Test and Inspection : API 598
- After test, empty the medium, dry the body and cover the 2 sides of the valve

Performance Table

Pressure: 4.0Mpa
 Strength test: 6.0Mpa
 Seal test: 4.4Mpa
 Air seal test: 0.4-0.7Mpa
 Applicable temperature: -29°C ~150°C
 Applicable Medium : water, gas, oil



JOV-BGM2209

NPS	DN	D	L	H	h	b	E	S	L1	d	d1	d2
1/4"	8	11	60	40	21.3	16	75	20	11	60	11.5	17.5
3/8"	10	11	60	40	21.3	16	75	20	11	60	14	20
1/2"	15	14	63.5	49	24	16	100	25	14	63.5	17	23
3/4"	20	20	71	57	29.5	18	115	31.5	20	71	22	29
1"	25	24	82.5	60	33.5	20	125	38	24	82.5	27	35
1-1/4"	32	32	94	80	39	26	170	47	32	94	35	43
1-1/2"	40	38	107	87	45.3	26	170	53	38	107	40	50
2"	50	50	126	98	55	28	185	66.5	50	126	54	64
2-1/2"	65	65	162	125	76	32	235	83	65	162	65	75
3"	80	80	183	135	86	32	260	96	80	183	81	92
4"	100	100	232	156	106.5	34	300	122	100	232	101	113

3PC Thread Ball Valve with ISO Mounting Pad



Parts Material List

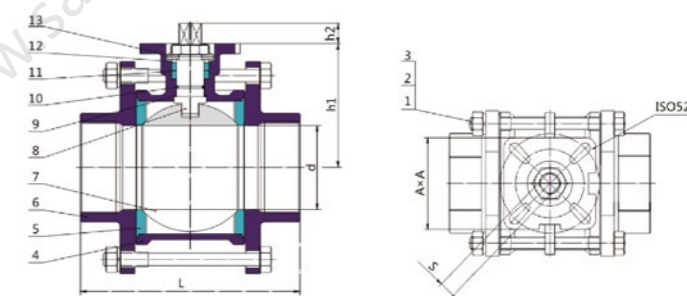
NO	Name	Material
1	Stud Bolt	A193-b8
2	Hexagon Nut	A194-2H
3	Spring Gasket	201/304
4	Body	WCB/CF8/CF8M
5	Seat	PTFE/RPTFE/PPL
6	Cap	WCB/CF8/CF8M
7	Ball	304/316
8	Stem	304/316
9	Thrust Washer	PTFE
10	O Ring	NBR/VITON
11	Vtype Packing	PTFE
12	Packing Sleeve	201/304
13	Disc Spring	SS

Technical Specification

- Design and manufacture: ASME B16.34 ;
- Face to face: factory's standard
- Test and Inspection: API 598
- After test, empty the medium, dry the body and cover the 2 sides of the valve

Performance Table

Pressure: 4.0Mpa
 Strength test: 6.0Mpa
 Seal test: 4.4Mpa
 Air seal test: 0.4-0.7Mpa
 Applicable temperature: -29°C ~150°C
 Applicable Medium: water, gas, oil



JOV-BG2211

NPS	DN	D	L	h2	h2	ISO5211	A	S
1/2"	15	15	75	39	10.5	F03/F04	42	9
3/4"	20	20	80	44	10.5	F03/F04	42	9
1"	25	25	90	52	11	F04/F05	50	11
1-1/4"	32	32	110	56	11.5	F04/F05	50	11
1-1/2"	40	38	120	65	17	F05/F07	70	14
2"	50	49	140	75	17	F05/F07	70	14
2-1/2"	65	64	177	105.5	19.5	F07/F10	95	17
3"	80	80	209	118	19.5	F07/F10	95	17
4"	100	100	267	141	20	F07/F10	96	19

3-way Thread Ball Valve with ISO Mounting Pad



Parts Material List

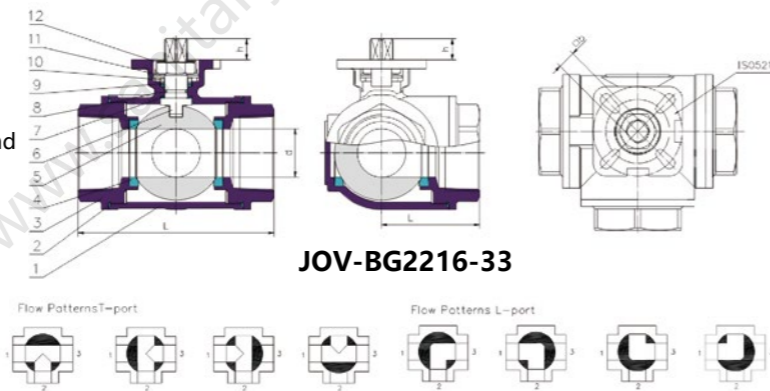
NO	Name	Material
1	Body	WCB/CF8/CF8M
2	Seal Gasket	PTFE
3	Cap	WCB/CF8/CF8M
4	Seat	PTFE/RPTFE/PPL
5	Ball	CF8/CF8M
6	Stem	304/316
7	Thrust Washer	PTFE
8	Oring	NBR/VIION
9	Packing	PTFE
10	Packing Gland	201/304
11	Disc Spring	SS
12	Loosen Resistant Cover	A194-2H

Technical Specification

- Design and manufacture: ASME B16.34
- Face to face: factory's standard ;
- Test and Inspection: API 598
- The butt end according to ASME B16.25
- After test, empty the medium, dry the body and cover the 2 sides of the valve

Performance Table

- Nominal Pressure: 4.0Mpa
- Strength test: 6.0Mpa
- Seal test: 4.4Mpa
- Air seal test: 0.4-0.7Mpa
- Applicable temperature: -29°C -150°C
- Applicable Medium: water, gas, oil



NPS	DN	d	L	h	E	ISO5211	b
1/4"	11	11	72	8.5	125	F03/F04	9
3/8"	12	11	72	8.5	125	F03/F04	9
1/2"	15	12	72	8.5	125	F03/F04	9
3/4"	20	15	82	9.5	125	F03/F04	9
1"	25	18	90	11	135	F04/F05	11
1-1/4"	32	25	128	12	150	F04/F05	11
1-1/2"	40	32	137	16.5	160	F05F/F07	14
2"	50	38	154	16.5	180	F05/F07	14
2-1/2"	65	48	185	20	260	F07/F10	17
3"	80	55	212	20	260	F07/F10	17
4"	100	71	254	22.5	300	F07/F10	19

3PC 2000WOG Ball Valve with ISO Mounting Pad



Parts Material List

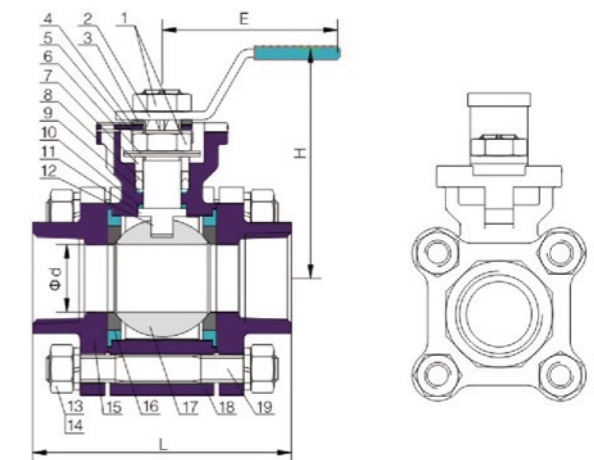
NO	Name	Material
1	Nut	A194-2H
2	Handle	201
3	Metallic Gasket	304/316
4	Limit Stop	304/316
5	Stop-Lock-Cap	304/316
6	Belleville Washer	304/316
7	Gland	304/316
8	Packing	PTFE
9	O-Ring	NBR
10	Thrust Washer	PTFE
11	Stem	304/316
12	Anti-Static-Devices	304/316
13	Nut	A193-2H
14	Spring Washer	304/316
15	Cap	WCB/CF8/CF8M
16	Seat	PTFE
17	Ball	304/316
18	Body	WCB/CF8/CF8M
19	Bolt	A193-B8

FEATURES

- Full port
- Locking Device Handle Upon Request
- 2000WOG/PN125
- Blow-Out Proof Stem
- ISO5211 Top Flange
- Spring Ball Seat Design
- Precision Casting
- Design Standard: ASME B16.34
- Test Standard: API 598/SP-110

PRESSURE TEST

- STANDARD PRESSURE: 2000PSI
- SHELL PRESSURE TESTING: 20.7Mpa
- WATER SEAL TESTING: 15.2Mpa
- AIR SEAL TESTING: 0.4-0.7Mpa



SIZE/ITEM	1/2"	3/4"	1"	1-1/4"	1-1/2"	2"
D	15	20	25	32	38	49
L	70	82	90	110	120	145
H	62	65	84	89	113	122
E	125	125	155	155	195	195

Wafer Flanged Ball Valve Full Port

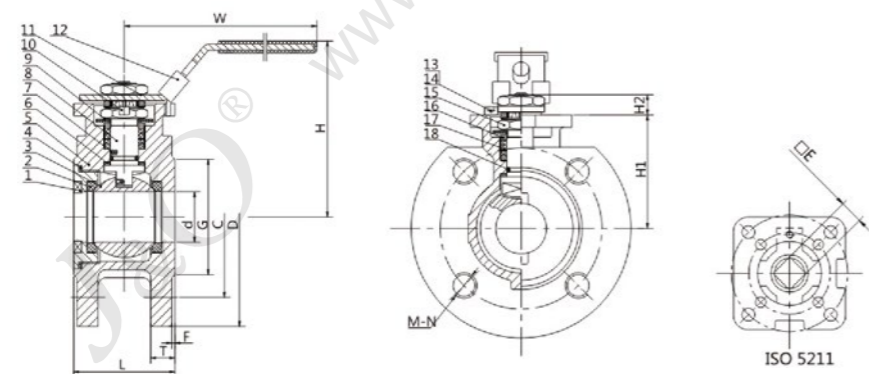


Parts Material List

NO	Name	Material
1	Cap	DN 1.4406
2	Seat	PTFE
3	Ball	DN 1.4401
4	Gasket	PTFE
5	Body	DN 1.4408
6	Stem Gasket	PTFE
7	Antisratic Device	DN 1.4301
8	Stem	DN 1.4301
9	Washer	DN 1.4301
10	Anti Loosing Cap	PTFE
11	Hardle	DN 1.4301
12	Handle Lock	DN 1.4301
13	Screws	DN 1.4301
14	Nut	DN 1.4301
15	Nut	DN 1.4301
16	Pading Gland	DN 1.4301
17	Packing	PTFE
18	O-Ring	FICM(VITON)

Technical specification

- 1.Basic design and manufacture according to ASME B16.34
- 2.Flange dimension complied with DIN2633
- 3.Inspection and test according to API 598



JOV-BGM2214-44

SIZE	d(min)	D	C	G	T	F	L	H	H1	H2	E	W	M-N	ISO5211
1/2"	15	95	65	45	14	2	42	76	48.5	8	9	110	4-M12	F03/F04
3/4"	20	105	75	58	16	2	44	80	53.5	9	9	110	4-M12	F03/F04
1"	25	115	85	68	16	2	50	90	59	10	11	160	4-M12	F04/F05
1-1/4"	30	140	100	78	16	2	60	102	71	10	11	160	4-M16	F04/F05
1-1/2"	36	150	110	88	16	3	65	114.5	77.5	14	14	185	4-M16	F05/F07
2"	46	165	125	102	18	3	80	122	85	14	14	185	4-M16	F05/F07
2-1/2"	57	185	145	122	18	3	110	158	100	16	17	305	4-M16	F07/F10
3"	73	200	160	138	20	3	120	178	110	16	17	305	8-M16	F07/F10
4"	90	220	180	158	20	3	150	198	130	18	19	305	8-M16	F07/F10

JIS Flange Ball Valve with Mounting Pad



Parts Material List

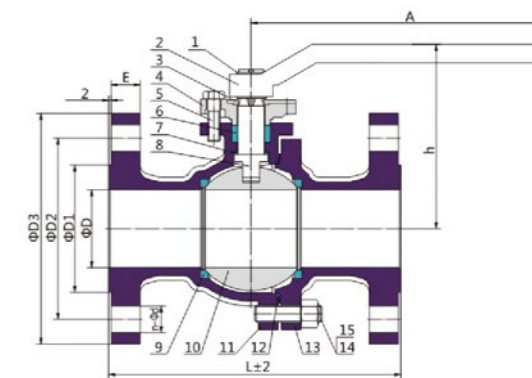
NO	Name	Material
1	Bolt	A193-B8
2	Hexagon Nut	A194-2H
3	Cap	CF8/CF8M/WC8
4	Seal Gchat	PTFE
5	Body	CF8/CF8M/WC8
6	Ball	304/316
7	Seat	PTFE/RPTFE/PPL
8	Stem	304/316
9	Thnust Washer	PTFE
10	V Type Packing	PTFE
11	Hexnagon Bolt	A193-B8
12	Packing Gland	A351 CF8/CF8M
13	Hirge Pin	201/304
14	Shaft With Clastic Ning	201/304
15	Handle	WC8/CF8

Technical specification

- 1.Design and manufacture: JIS B2005/ASME 16.34
- 2.Test and Inspection: JIS B2005/API 598
- 3.Face to face: JIS B2002/ASME B16.5
- 4.After test, empty the medium, dry the body and cover the 2 sides of the valve

Performance Table

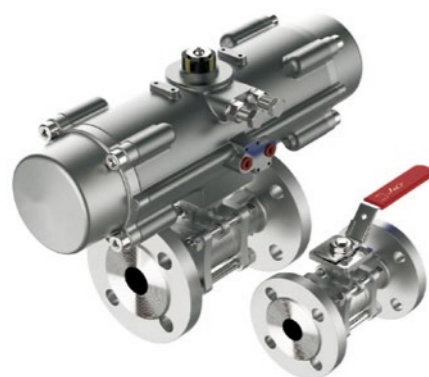
Nominal Pressure: 1.6Mpa
 Strength test: 3.0Mpa
 Seal test: 2.2Mpa
 Air seal test: 0.4-0.7Mpa
 Applicable temperature: -29°C ~150°C
 Applicable Medium: water, gas, oil



JOV-BGM-JIS-44

NPS	DN	D	L	H	E	D1	D2	D3	I	a-Φd
1/2"	15	108	108	65	133	51	70	95	12	4-Φ15
3/4"	20	117	117	68	133	56	75	100	14	4-Φ15
1"	25	127	127	88	163	67	90	125	14	4-Φ19
1-1/4"	32	140	140	92	163	79	100	135	16	4-Φ19
1-1/2"	40	165	165	118	205	86	105	140	16	4-Φ19
2"	50	178	178	127	255	89	120	155	16	4-Φ19
2-1/2"	65	190	190	149	255	116	140	175	18	4-Φ19
3"	80	203	203	187	330	126	150	185	18	8-Φ19
4"	100	229	229	197	330	151	175	210	18	8-Φ19

3PC Flange Full Port Ball Valve



FEATURES

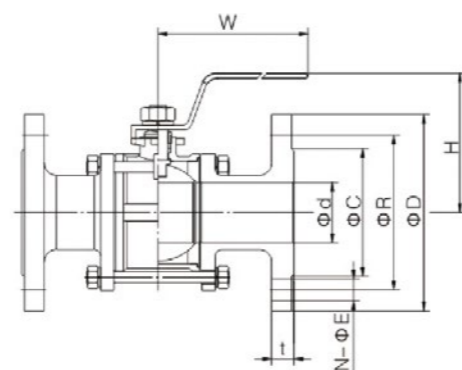
- 1、ANSI 150#10K/PN16; 300#20K/PN40
- 2、Full port
- 3、Locking Device Handle Upon Request
- 4、Blow-Out Proof Stem
- 5、V-Ring Packing sealing
- 6、Fire Safe Design ACC: API 607
- 7、Balance Hole in Ball Slot
- 8、Design Standard ASME B16.34
- 9、Flange ASME 16.5/JIS10K/DIN PN10-40
- 10、Face to Face ASME B16.10 /DIN 3202-F1
- 11、Test Standard: API 598

PRESSURE TEST

Standard Pressure: 4.0Mpa
 Shell pressure Test: 6.0Mpa
 Water seal test: 4.4Mpa
 Air seal test: 0.4-0.7Wpa

Parts Material List

NO	Name	Material	Material
1	Body	CF8M	CF8
2	Ball	SUS316	SUS304
3	Ball Seat	PTFE	Rctine-PTFE
4	Cap	CF8M	CF8
5	Bolt	SUS304	SUS304
6	Stem Pcking	PTFE	PTFE
7	Step Nut	SUS304	SUS304
8	Handle	SUS304	SUS304
9	Spring Washer	SUS304	SUS304
10	Stemnut	SUS304	SUS304
11	Handle Correr	PLASTIC	PLASTIC
12	Stem	SUS304	SUS316
13	Thrust Washer	SUS304	SUS304
14	Nut	SUS304	SUS304



JOV-BGM2213-44

Size	L	Φd	W	H	ΦC	ΦR	ΦD	N	ΦE	T	TORQUE PLL	CV
DN15	130	15	115	59	45	65	95	4	14	16	5	3.4
DN20	150	20	125	58	58	75	105	4	14	18	7	7.1
DN25	160	25	150	68	68	85	115	4	14	18	8	12.4
DN32	180	32	160	78	78	100	140	4	18	18	16	20.3
DN40	200	38	190	88	88	110	150	4	18	18	22	28.5
DN50	230	50	200	102	102	125	165	4	18	20	25	47.5
DN55	290	65	265	122	122	145	185	8	18	22	50	79
DN90	310	80	300	138	138	160	200	8	18	24	80	108.4
DN100	350	100	300	162	162	190	235	8	22	24	113	198

Flange Ball Valve with Mounting Pad

GB PN16

Technical specification

- 1、Design and manufacture: GB/T 12237
- 2、Test and inspection: GB/T 13927 ;
- 3、Face to face:GB/T 12221 ;
- 4、Flange:HG/T 20592-20592;
- 5、After test, empty the medium, dry the body and cover the 2 sides of the valve

DIN PN16

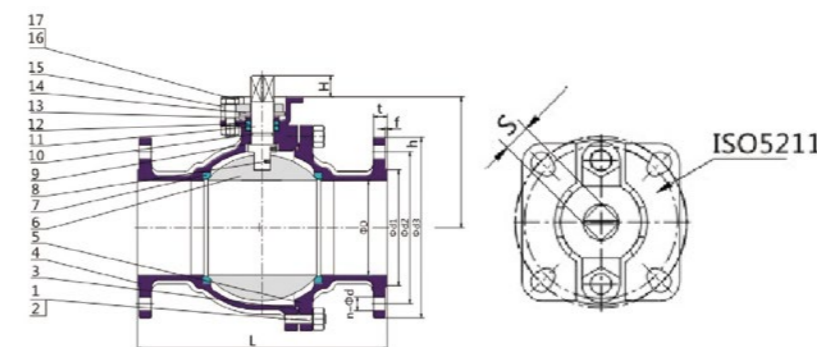
Technical specification

- 1、Design and manufacture:EN12516-1
- 2、Test and Inspection:EN-12266-1
- 3、Face to face: EN558-1 F4
- 4、Flange: EN1092-1
- 5、After test, empty the medium, dry the body and cover the 2 sides of the valve

ANSI 150LBS

Technical specification

- 1、Design and manufacture:ASTM B16.34
- 2、Test and Inspection:API598
- 3、Face to face:ASTM B16.10
- 4、Flange: ASTM B16.5
- 5、After test, empty the medium, dry the body and cover the 2 sides of the valve



JOV-BGMP-44

Parts Material List

NO	Name	Material
1	Bolt	A193-B8
2	Hexagon Nut	A194-2H
3	Seal	PTFE
4	Body	CF8/CF8M/WC8
5	Cap	CF8/CF8M/WC8
6	Ball	304/316
7	Seat	PTFE/RPTFE/PPL
8	Spring	SS
9	Thrust Washer	PTFE
10	Oring	NBR/VITON
11	Stem	304/316
12	Packing	PTFE
13	Packing Gland	201/304
14	Disc Spring	SS
15	Packing	CF8/CF8M/WC8
16	Hexagon Bolt	A193-B8
17	Hexagon Nut	A194-2H

