

J&O[®]

J&O FLUID CONTROL CO., LIMITED

Mix-proof Valve/ Divert Valve

J&O[®] www.sanitary-valves.com

J&O BRAND, RELIABLE QUALITY FOR YOU
CE&ISO 9001:2015 CERTIFIED ACQUIRED
15 YEARS FLUID SOLUTION EXPERIENCES
EXPORTING TO OVER 40 COUNTRIES
EXCELLENT VALUE-ADDED SERVICE.



We focus on Details
We Make Different
J&O Brand,that can be trust.

J&O[®]

www.sanitary-valves.com

J&O PROFILE

J&O Fluid Control Co., Limited established in 2008, a leading Manufacturer and Supplier of high quality hygienic stainless steel flow control equipments.

J&O services the Food, Dairy, Beverage, Cosmetic, Pharmaceutical, Biological engineering, Lithium battery, Semiconductor, Water treatment, Petroleum and Chemical industries.

J&O product series consists of sanitary stainless steel Valves & Fittings:

>>Sanitary Stainless Steel Pumps

>>Sanitary Stainless Steel Valves

>>Stainless Steel Tank Accessories

>>Stainless Steel Pipe Fittings

>>Stainless Steel Flanges

>>Stainless Steel Double Ferrule Tube Fittings

>>Hydraulic Pneumatic Quick Coupling

>>Carbon Steel Pipe Fittings

>>Customized Valve and Fittings

Through the years, "Perfection" has been the only goal we pursue. In order to satisfy customers, with continuous efforts, we are working towards perfection through a Quality Assurance System. With persistence and effort, we have become one of the leading enterprises of sanitary valves and pipe fittings in China.

Our organization is dedicated to provide our customers with best service of every aspect. We strongly believe, that the friendship and trust given by our customers, is the great treasure we have.

The logo for J&O Fluid Control Co., Limited, featuring the letters 'J&O' in a large, bold, blue serif font. A registered trademark symbol (®) is positioned to the upper right of the letter 'O'. A faint watermark of the logo and the website address 'www.sanitary-valves.com' is visible in the background of the page.

J&O FLUID CONTROL CO., LIMITED

Certificate

ISO9001



**QUALITY MANAGEMENT SYSTEM
CERTIFICATE**

Certificate No. : 20221Q21325R0S

We hereby certify that the organization:
WENZHOU J&O FLUID CONTROL CO., LTD
Unified social credit code: 91330303307697906R

is in conformity with Quality Management System Standard:
GB/T19001-2016 idt ISO9001:2015

The certificate is valid to the following products/service:
**Export of centrifugal pumps,
stainless steel valves and pipe fittings**

Registration Address: ROOM 901-1, 4TH BUILDING, CAIZHI MANSION,
YONGZHONG STREET, LONGWAN, WENZHOU, PROVINCE CHINA
Audit Address: Room 602, Metal Building, Yongzhong Street, Longwan District,
Wenzhou city, Zhejiang Province, China.






Date of Issue: 30-11-2021
Date of Expiry: 29-11-2024
Date of Initial: 30-11-2021

Issued By: 

The audit of validity of the certificate, the certificate shall be at least once a year.
The effectiveness of the Certificate is subject to QR Code in the lower left corner.
Meanwhile, you can search the website of certification body: www.cqcq.org.cn
or search the CNCA website: www.cnca.gov.cn

ZHEJIANG QUANPIN CERTIFICATION CO.,LTD.
Room 602, Metal Building 1, No. 74, Puyao Road, Puyao Street, Dinghai Street, Hangzhou City,
Zhejiang Province, China 310053 913303 913303 Website: <http://www.cqcq.org.cn>

ICR

VERIFICATION OF CONFORMITY

No.: ICR Polska/VC/HA221005

4/16/2022

Name and address of Applicant: Wenzhou J&O Fluid Control Co., Ltd
Room 901-1, 4TH Building, Caizhi Mansion, Yongzhong Street, Longwan, Wenzhou,
China

Name and address of manufacturer: Wenzhou J&O Fluid Control Co., Ltd
Room 901-1, 4TH Building, Caizhi Mansion, Yongzhong Street, Longwan, Wenzhou,
China

Product name: Butterfly Valve, Ball Valve, Globe Valve, Check Valve, Gate Valve,
Control Valve, Diaphragm Valve, Angle Seat Valve, Tank Bottom Valve,
Safety Valve, Pressure Relief Valve, Sampling Valve, Reversing Valve,
Discharge Valve, Plug Valve, PTFE Lined Valve, PFA Lined Valve,
FEP Lined Valve

Product types: n/a
Product trademark: n/a

This document confirms that the product sample meets the requirements of the following standards:

- Related with Directive 2014/68/EU:

EN 12266-1:2003	as well as:	DIN 3267-1:1989
EN 1964:2010		DIN EN 593:2018
EN 13709:2010		BS 1873:1975

The assessment process has been carried out in accordance with individual rules and conditions agreed with the applicant. Evaluation has been carried out in accordance with:

Test reports: TCT221021220-PED
Tests conducted by: Guojingdong TCT Testing Laboratory Ltd.

Issue date: 26.10.2022
Expiration date: 25.10.2027

Remarks:
This verification of conformity refers to the above mentioned product and its conformity in regards of above mentioned standard(EU) was proven on test sample.
This verification of conformity was issued on voluntary basis and does not imply identity of essential requirements, assessment of the series-production or any other restricted/limited bodies conformity assessment procedure appropriate for the product.

CE marking remarks:
mark is not sanctioned by the following emblem of conformity mark given here as reference, can be obtained by the manufacturer after applying all essential requirements from relevant directives.
document status can be checked <https://icr.pl/portal/verification>



ICR Polska Co. Ltd
www.icrpolska.com
icrp@icrp.pl



Director: Rafal Kalinowski
Warsaw, 26.10.2022



Testing Machine



Actuator Testing



Helium Leak Detector



Pressure Test for Large Valve



Pressure Test for Small Valve



Mix-proof Valve/ Divert Valve

Our Core Values: Team, Details, Altruism, Innovation and Embrace Change.

Mix-Proof Valve

Fh01 Series Mix-Proof Valve Characteristics

This valve is used to proof the mix of different materials at the pipeline cross. While the valve is close, the two pipes are double sealed, the liquid leaking from one pipe to the other can be eliminated. While the seal is damaged, the leakages will be drained by the draining chamber. A separate CIP connection is used to provide cleaning solution to the isolation chamber. The cleaning of the isolation chamber is independent of the position of the valve.

Fh02 Series Double Seals Mix Proof Valve Characteristics

This Valve is used as the mix- proof separation in the pipe system by adopting one valve disc with two seals tech. This valve is an economic choice among the double seat valve. The chamber between the valve disc seals is connected with two drain valves, by which we can detect the seal leakage and clean the chamber.

The Advantages Compared With Traditional Design

- Less components
- Less space
- Easier maintenance
- No dead corner
- No contact between drain system and products
- The separation chamber cleaning will not cause any hydraulic-pressure and will not be influenced by the status of the equipment or the valve.



Material

- Parts in contact with the medium: 304 or 316L
- Sealing material: standard EPDM, Silicone and Viton for option

Surface Finish

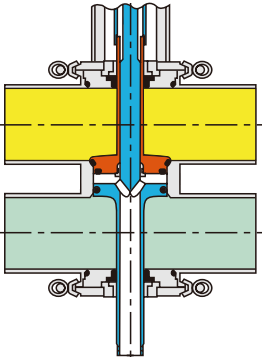
Outside : Sand blasting processing
Matt. Polish $Ra \leq 0.6\mu m$
Inside: polish $Ra < 0.6\mu m$

Quality Requirements of Compressed Air That The Actuator Needs

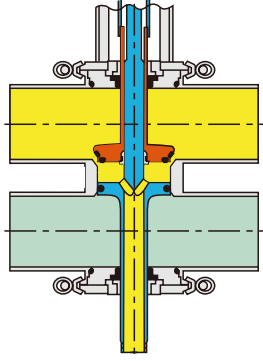
- Compressed air joint: air pipe equipped with air adapter R1/8"
- Max grain size: $0.01\mu m$
- Max oil content: 0.08ppm
- Dew point: below 10c or less
- Max water content: 7.5g/kg

Mix-proof Valve

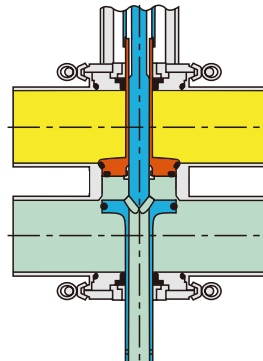
The position of the valve disc during the opening and closing of the external cleaning double-seat mix-proof valve



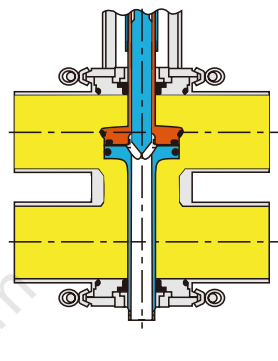
When the valve is closed, the upper and lower valve chambers are sealed by separate valve seats. The middle leakage channel can be do separate CIP cleaning from the outside.



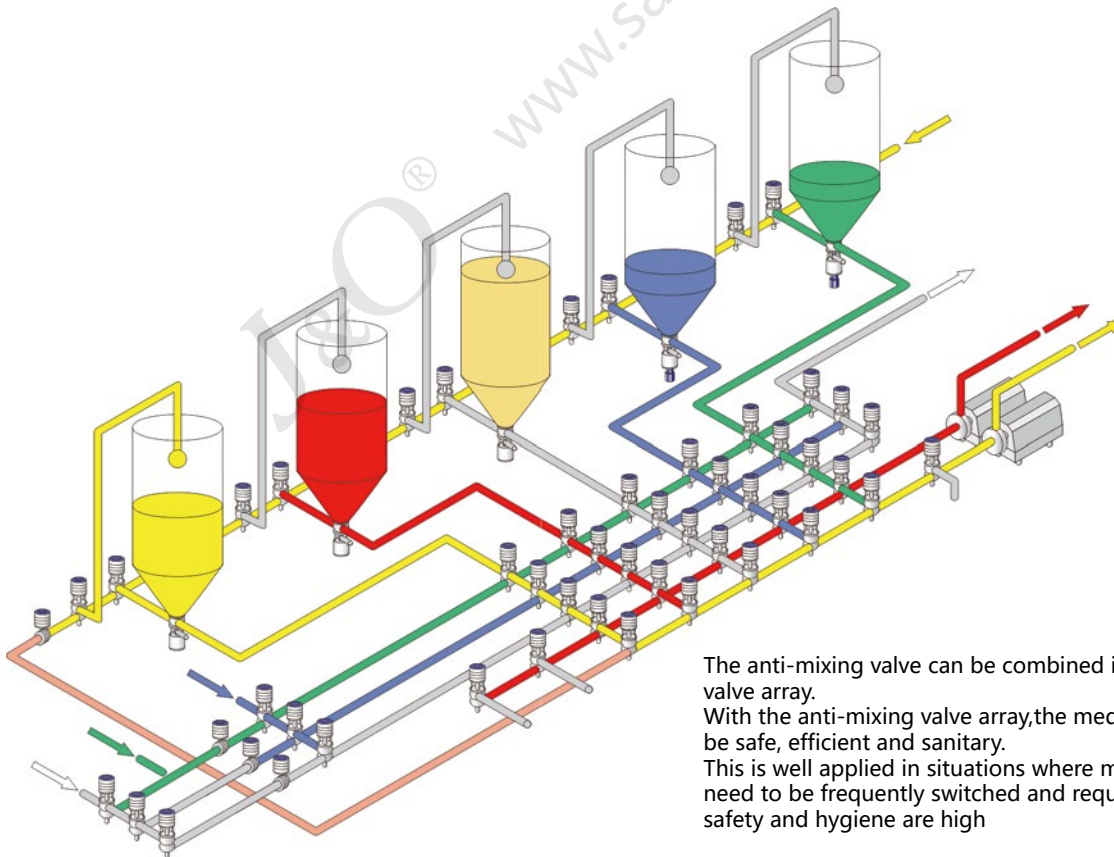
When the valve is opened, the upper valve seat lifts upward, and the liquid in the upper body can flow out from the leakage channel. The lower chamber is sealed by a separate valve seat.



When the valve is opened, the lower valve seat drops downward, and the liquid in the lower body can flow out from the leakage channel. The upper chamber is sealed by a separate valve seat.

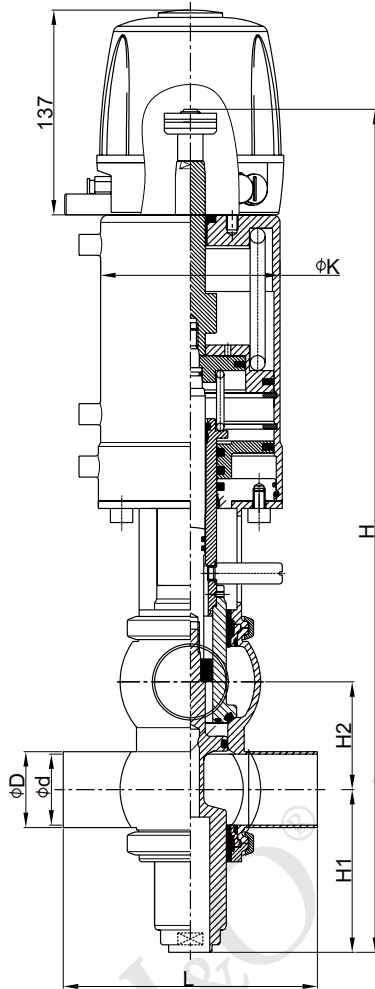


When the valve is opened, the lower valve seat is lifted, and the isolation chamber between the lower valve seat and the upper valve seat is closed, so that the leakage channel closed when the valve is opened.



The anti-mixing valve can be combined into anti-mix valve array.
With the anti-mixing valve array, the medium convey can be safe, efficient and sanitary.
This is well applied in situations where media channels need to be frequently switched and requirements on the safety and hygiene are high

Intelligent Pneumatic Anti Mixing-proof Valve



JOV-MXVT22-11

Size	d	D	K	L	H1	H2	H
40	37	40	89	130	83	56	499
50	49	52	120	180	123	71	558
65	66	70	120	200	115	92	684
80	81	85	173	250	140	111	875
100	100	104	173	300	173	128	910
Size	d	D	K	L	H1	H2	H
1.5"	35.1	38.1	89	130	83	56	499
2"	47.8	50.8	120	180	123	71	558
2.5"	59.5	63.5	120	200	123	85	586
3"	72.2	76.2	133	220	133	103	762
4"	97.6	101.6	173	300	173	128	910

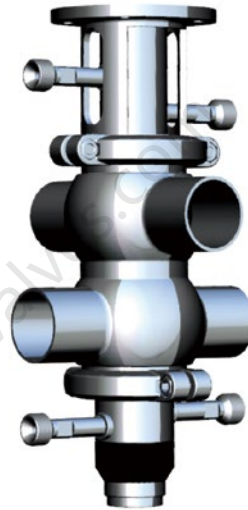


CIP Cleaning Type

A. CIP cleaning of the leakage chamber in the pipeline when the upper valve disc is opened or the lower valve disc is opened



B. External CIP cleaning of upper and lower valve disc



C. External CIP cleaning of upper and valve disc



D. External connection CIP cleaning of leaking cavity



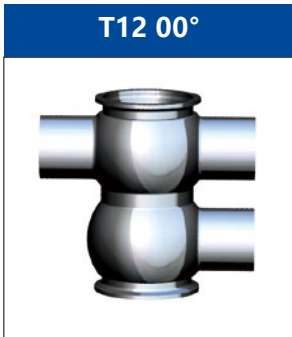
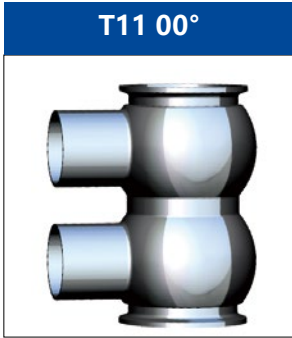
Mix-proof Valve

J&O FLUID CONTROL CO., LIMITED



Valve Combination

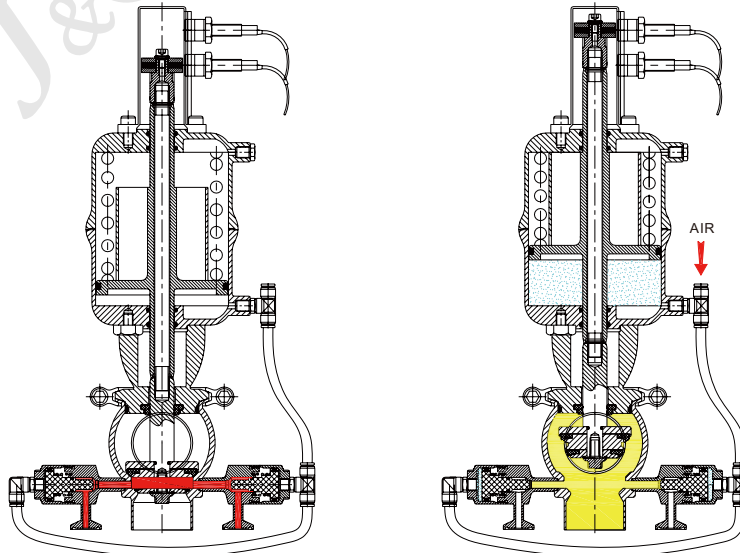
Integrated type



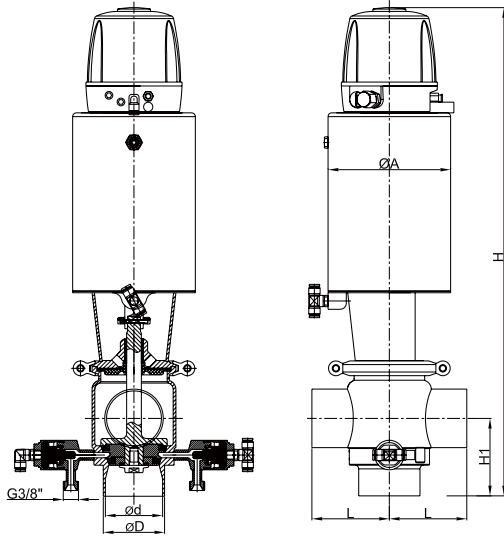
Cleaning Single Seat Double Seal Mixing-proof Valve



Outside The Cleaning Single-Seat Double-seal Anti-Mixing-proof In The Process of Valve Plate Position

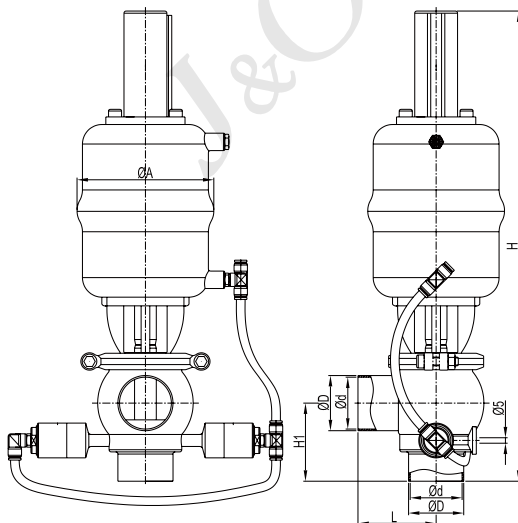


Intelligent Pneumatic Anti Mixing-proof



JOV-ATMXVCT-11

Size	d	D	A	L	H1	H
1.5"	35.1	38.1	86	69	69	488
2"	47.8	50.8	108	76	76	509
2.5"	59.5	63.5	133	82	82	550
3"	72.2	76.2	133	90	90	564



JOV-ATMXVSL-11

Size	d	D	L	A	H1	H
1.5"	28.8	31.8	65	126	62	418
1.5"	35.1	38.1	65	126	65	418
2"	47.8	50.8	72	126	72	433
2.5"	59.5	63.5	85	126	85	453
3"	72.2	76.2	97	152	97	500
3.5"	84.9	88.9	115	178	115	559
4"	97.6	101.6	135	178	135	593

Divert Valve



Advantages

Hygienic cut-off / switch valves feature safety, clean, durability and aesthetics

With an open bracket, the pneumatic actuator is separated from the valve body, so the shaft seal can be checked directly. This design makes the transmission and the product partially separated, so it prevents the heat transfer from the body to the actuator

The condition "NO" and "NC" can be changed instantly. The spherical body has the ideal flow ability and cleaning performance, and it can handle materials more moderate

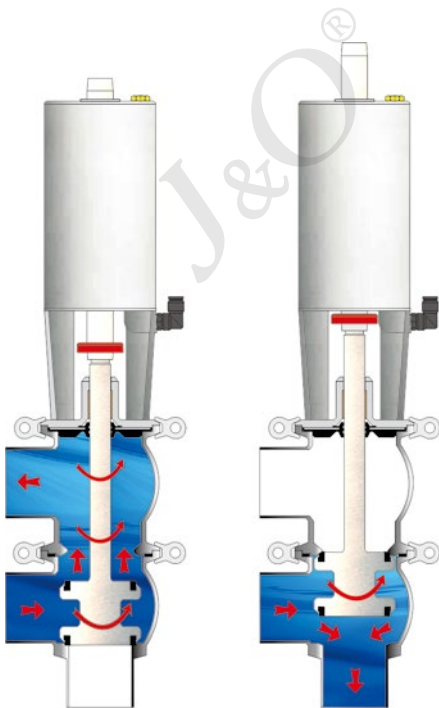
The standard valve design makes the connection combination highly flexible and varied. Metal stop ensures longer sealing life, fast and convenient assembly and maintenance.



Welding end rubber protective cover



Signal Feed Back Device



Material

Material of parts in contact with medium: 304 or 316L

Sealing material: standard EPDM, Silica, silicone and Viton for option

Surface Finish

Outside: Sand blasting $Ra \leq 1.6\mu m$

Sub-light $\leq 0.8\mu m$

Inside: polish $Ra \leq 0.4\mu m$

Requirements for compressed air quality that the executor needs

Compressed air joint: air pipe equipped with air adapter R1/8"

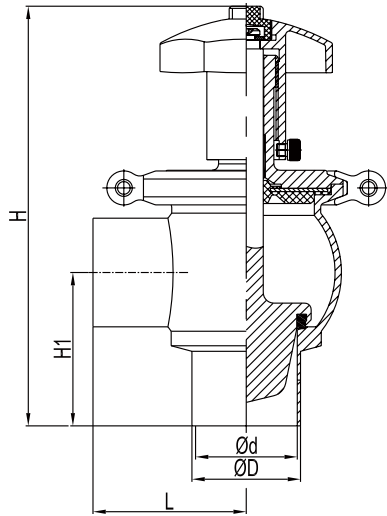
Max grain size: 0.01mm

Max oil content: 0.08ppm

Dew point: below 10°C or less

Max water content: 7.5g/kg

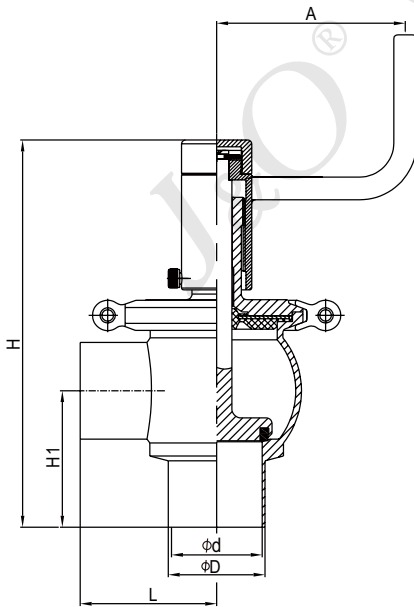
Divert Valve/ Cut-Off Valve



JOV-RHML2-11

Manual Flow Regulating Valve

Size	d	D	L	H1	H
1"	22.4	25.4	72	72	192
1.25"	28.8	31.8	72	72	192
1.5"	35.1	38.1	72	72	192
2"	47.8	50.8	72	72	192
2.5"	59.5	63.5	80	75	201
Size	d	D	L	H1	H
DN25	25	28	72	72	192
DN32	31	34	72	72	192
DN40	37	40	72	72	192
DN50	49	52	72	72	192

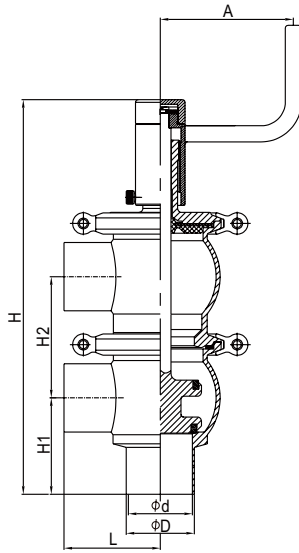


JOV-RHML-11

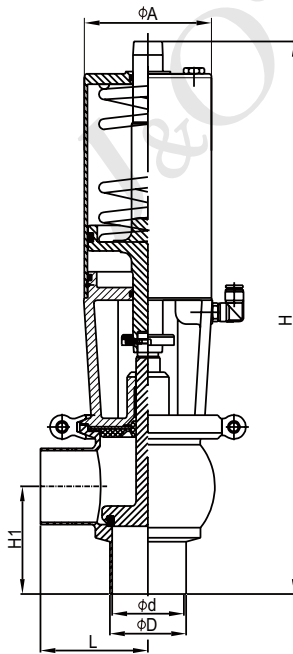
Manual Cut-off Valve

Size	d	D	L	H1	A	H
1"	22.4	25.4	72	72	100	204
1.25"	28.8	31.8	72	72	100	204
1.5"	35.1	38.1	72	72	100	204
2"	47.8	50.8	72	72	100	204
2.5"	59.5	63.5	80	75	100	213
3"	72.2	76.2	98	98	125	258
3.5"	84.9	88.9	107	107	125	272
4"	97.6	101.6	135	127	125	300
Size	d	D	L	H1	A	H
DN25	25	28	72	72	100	204
DN32	31	34	72	72	100	204
DN40	37	40	72	72	100	204
DN50	49	52	72	72	100	204
DN65	66	70	97	97	125	252
DN80	81	85	107	107	125	272
DN100	100	104	135	127	125	300

Divert Valve



JOV-RHMLL-11



JOV-RHPSL-11

Manual Divert Valve

Size	d	D	L	H1	H2	A	H
1"	22.4	25.4	72	72	90	100	295
1.25"	28.8	31.8	72	72	90	100	295
1.5"	35.1	38.1	72	72	90	100	295
2"	47.8	50.8	72	72	90	100	295
2.5"	59.5	63.5	80	75	90	100	312
3"	72.2	76.2	98	98	107	125	364
3.5"	84.9	88.9	107	107	120	125	392
4"	97.6	101.6	135	127	135	125	434

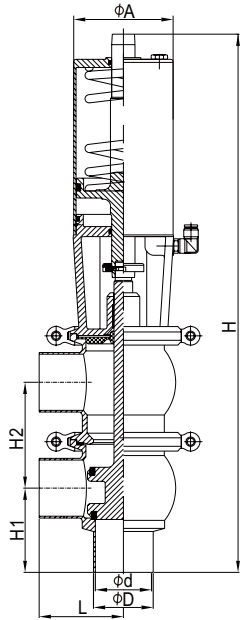
Size	d	D	L	H1	H2	A	H
DN25	25	28	72	72	90	100	295
DN32	31	34	72	72	90	100	295
DN40	37	40	72	72	90	100	295
DN50	49	52	72	72	90	100	295
DN66	66	70	97	97	107	125	362
DN90	81	85	107	107	120	125	394
DN100	100	104	135	127	135	125	434

Pneumatic Divert/Cut-off Valve

Size	d	D	L	H1	A	H
1"	22.4	25.4	72	72	86	367
1.25"	28.8	31.8	72	72	86	367
1.5"	35.1	38.1	72	72	86	367
2"	47.8	50.8	72	72	86	367
2.5"	59.5	63.5	80	75	86	373
3"	72.2	76.2	98	98	108	404
3.5"	84.9	88.9	107	107	133	442
4"	97.6	101.6	135	127	152	478

Size	d	D	L	H1	A	H
DN25	25	28	72	72	86	367
DN32	31	34	72	72	86	367
DN40	37	40	72	72	86	367
DN50	49	52	72	72	86	367
DN65	66	70	97	97	108	418
DN80	81	85	107	107	133	442
DN100	100	104	135	127	152	478

Divert Valve

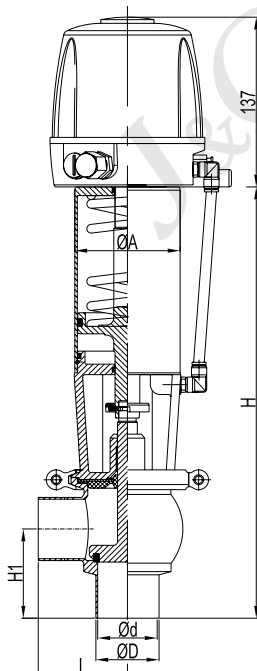


JOV-RHPSLL-11

Pneumatic Divert Valve

Size	d	D	L	H1	H2	A	H
1"	22.4	25.4	72	72	90	86	453
1.25"	28.8	31.8	72	72	90	86	453
1.5"	35.1	38.1	72	72	90	86	453
2"	47.8	50.8	72	72	90	86	453
2.5"	59.5	63.5	80	75	99	86	472
3"	72.2	76.2	98	98	107	106	509
3.5"	84.9	88.9	107	107	120	133	562
4"	97.6	101.6	135	127	135	152	612

Size	d	D	L	H1	H2	A	H
DN25	25	28	72	72	90	86	453
DN32	31	34	72	72	90	86	453
DN40	37	40	72	72	90	86	453
DN50	49	52	72	72	90	86	453
DN65	66	70	97	97	107	108	528
DN80	81	85	107	107	120	133	562
DN100	100	104	135	127	135	152	612



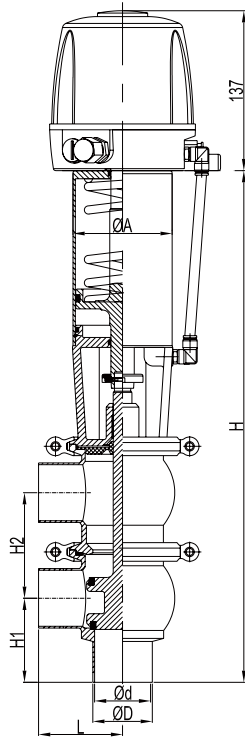
JOV-RHPSCL-11

Pneumatic Divert/Cut-off Valve

Size	d	D	L	H1	A	H
1"	22.4	25.4	72	72	86	353
1.25"	28.8	31.8	72	72	86	353
1.5"	35.1	38.1	72	72	86	353
2"	47.8	50.8	72	72	86	353
2.5"	59.5	63.5	80	75	86	357
3"	72.2	76.2	98	98	108	388
3.5"	84.9	88.9	107	107	133	428
4"	97.6	101.6	135	127	152	459

Size	d	D	L	H1	A	H
DN25	25	28	72	72	86	353
DN32	31	34	72	72	86	353
DN40	37	40	72	72	86	353
DN50	49	52	72	72	86	353
DN65	66	70	97	97	108	402
DN80	81	85	107	107	133	428
DN100	100	104	135	127	152	459

Divert Valve



JOV-RHPSCLL-11

Intelligent Pneumatic Divert Valve

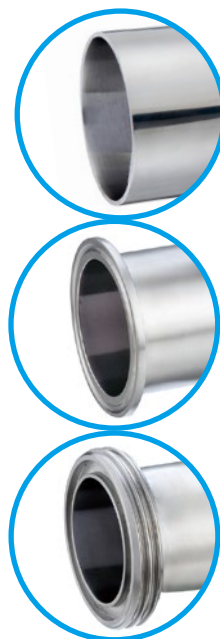
Size	d	D	L	H1	H2	A	H
1"	22.4	25.4	72	72	90	86	439
1.25"	28.8	31.8	72	72	90	86	439
1.5"	35.1	38.1	72	72	90	86	439
2"	47.8	50.8	72	72	90	86	439
2.5"	59.5	63.5	80	75	99	86	456
3"	72.2	76.2	98	98	107	106	493
3.5"	84.9	88.9	107	107	120	133	548
4"	97.6	101.6	135	127	135	152	593

Size	d	D	L	H1	H2	A	H
DN25	25	28	72	72	90	86	439
DN32	31	34	72	72	90	86	439
DN40	37	40	72	72	90	86	439
DN50	49	52	72	72	90	86	439
DN65	66	70	97	97	107	108	512
DN80	81	85	107	107	120	133	548
DN100	100	104	135	127	135	152	593

Weldingtype

Clamp type

Threadtype

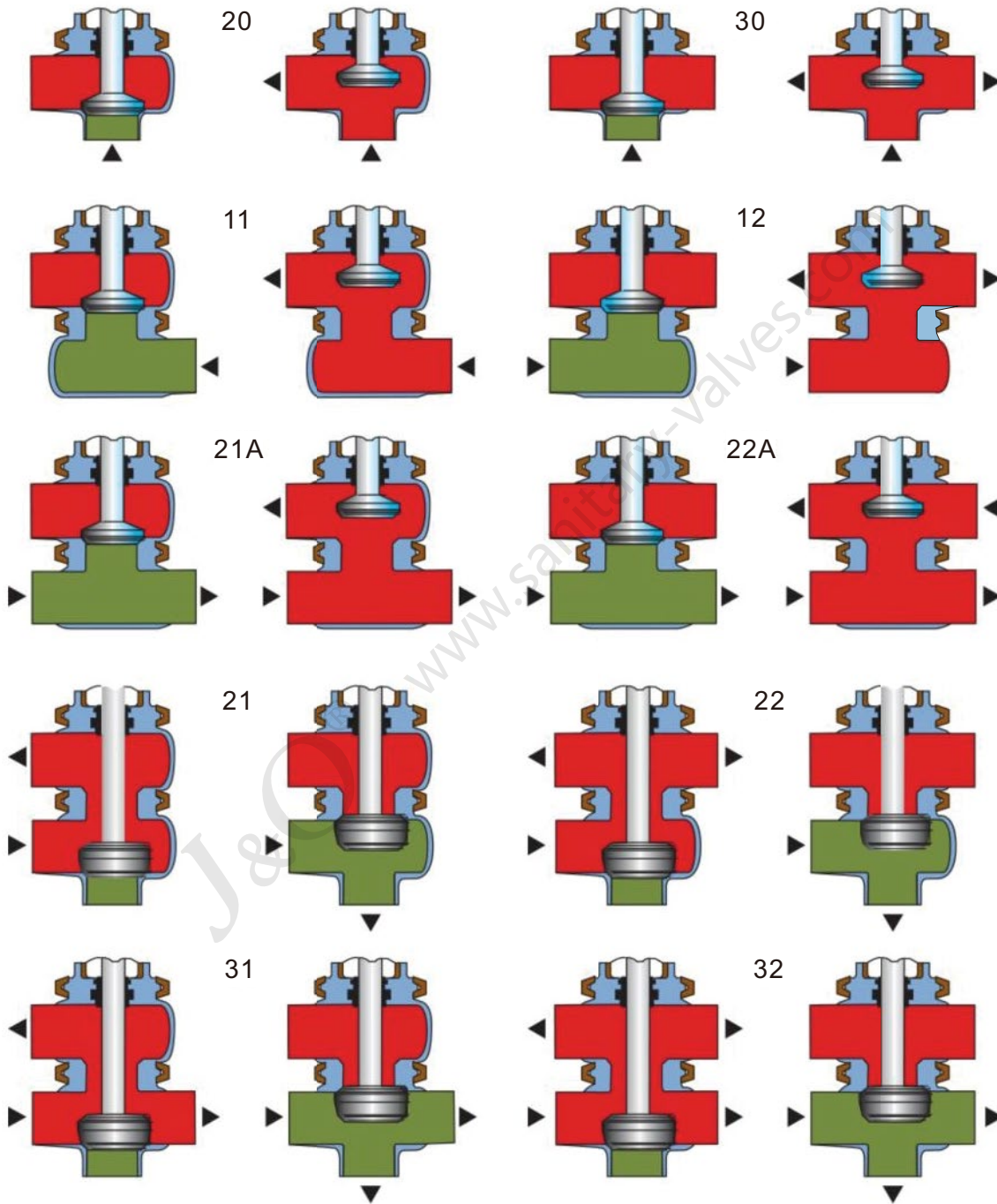


Interface shape

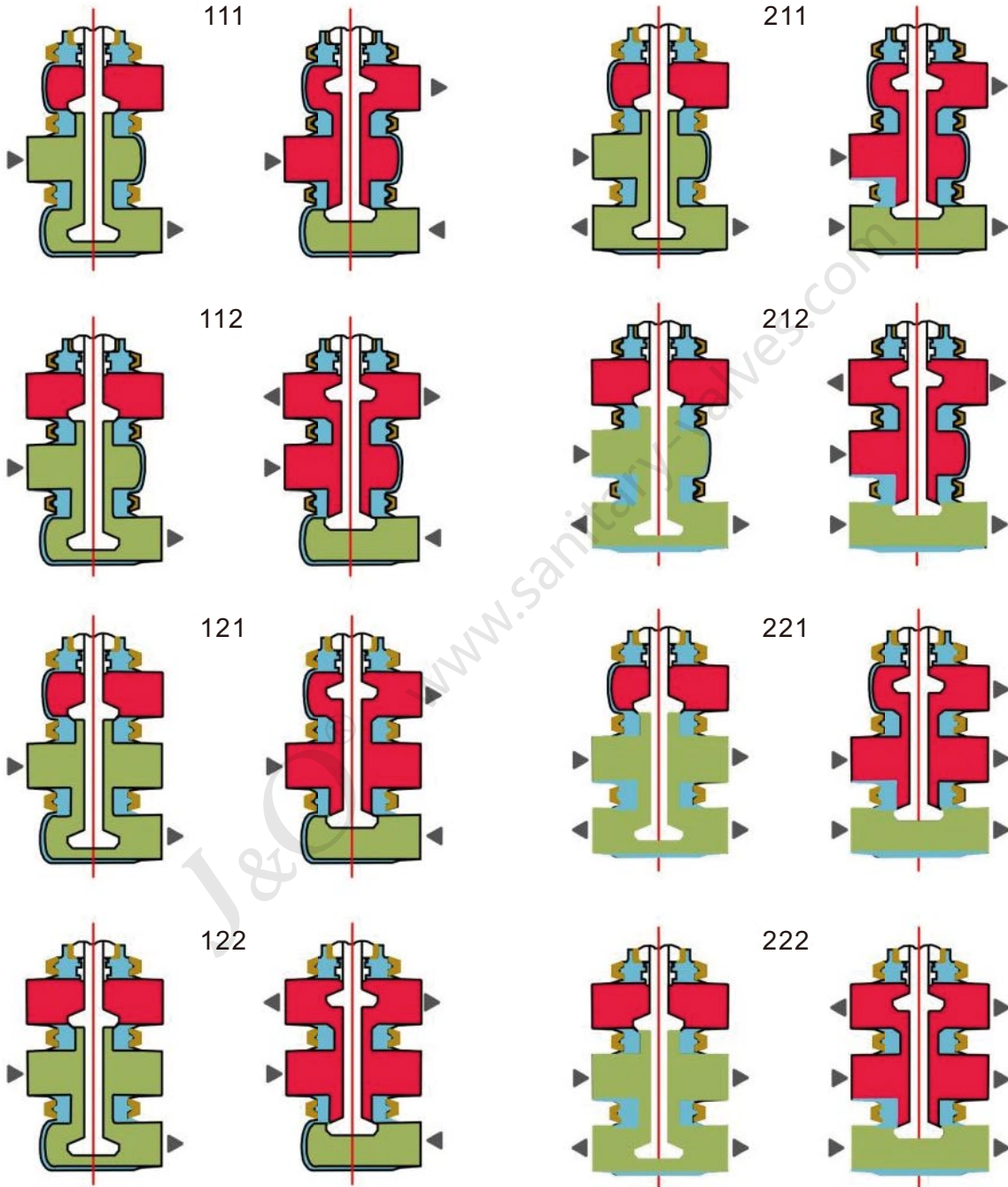


Divert Valve

Body Combination



Divert Valve



Mini Divert Valve

Mini Pneumatic Stop/Reversing Valve

Application

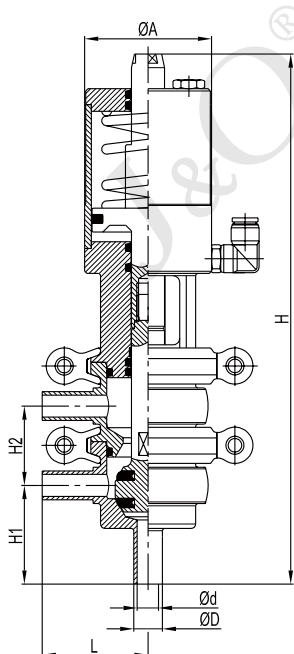
The valve is widely used in small laboratory equipment and filling equipment.

Design features

Small and portable

Split design

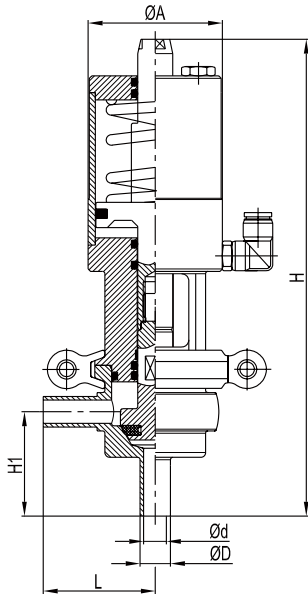
Convenient disassembly and assembly



JOV-MNRHPSLL-11

Pneumatic Mini Divert Valve

Size	d	D	L	H1	A	H
0.5"	9.5	12.7	46	43	56	234
0.75"	16.1	19.7	47	49	56	252
Size	d	D	L	H1	A	H
DN10	9	12	46	43	35	234
DN15	15	18	47	49	44	252
DN20	19	22	47	49	44	252

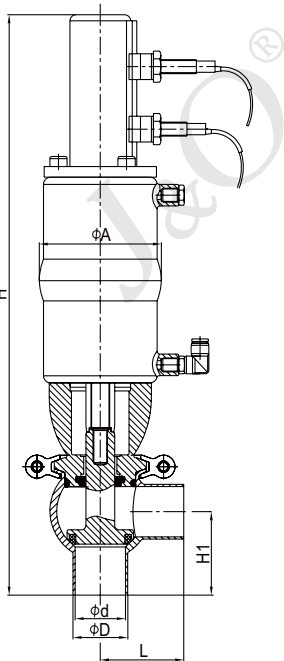


JOV-MNRHPSL-11

Pneumatic Mini Cut-off Valve

Size	d	D	L	H1	A	H
0.5"	9.5	12.7	46	43	56	199
0.75"	16.1	19.7	47	49	56	207

Size	d	D	L	H1	A	H
DN10	9	12	46	43	56	199
DN15	15	18	47	49	56	207
DN20	19	22	47	49	56	207

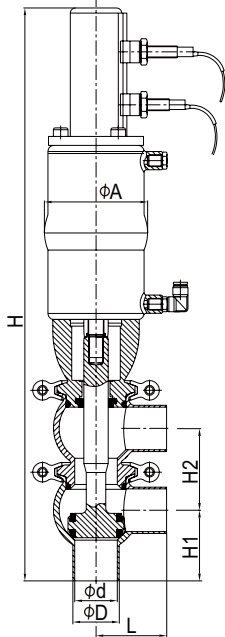


JOV-RHPSAPVSL-11

Pneumatic Cut off valve

Size	d	D	L	H1	A	H
1"	22.4	25.4	72	72	85	398
1.25"	28.8	31.8	72	72	85	398
1.5"	35.1	38.1	72	72	85	396
2"	47.8	50.8	72	72	126	428
2.5"	59.5	63.5	80	75	126	446
3"	72.2	76.2	98	98	126	475
3.5"	84.9	88.9	107	107	140	492
4"	97.6	101.6	135	127	151	535

Size	d	D	L	H1	A	H
DN25	25	28	72	72	85	398
DN32	31	34	72	72	85	398
DN40	37	40	72	72	85	396
DN50	49	52	72	72	126	428
DN65	66	70	97	97	126	475
DN80	81	85	107	107	140	492
DN100	100	104	135	127	151	535

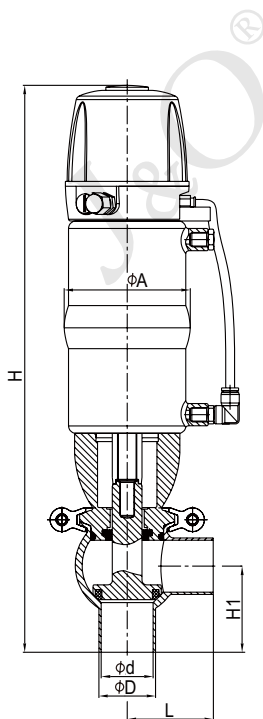


JOV-RHPSAPVSL-11

Pneumatic Divert/Cut off Valve

Size	d	D	L	H1	H2	A	H
1"	22.4	25.4	72	72	66	85	465
1.25"	28.8	31.8	72	72	66	85	465
1.5"	35.1	38.1	72	72	67	85	468
2"	47.8	50.8	72	72	76	126	504
2.5"	59.5	63.5	80	75	88	126	534
3"	72.2	76.2	98	98	106	126	561
3.5"	84.9	88.9	107	107	120	140	612
4"	97.6	101.6	135	127	135	151	670

Size	d	D	L	H1	H2	A	H
DN25	25	28	72	72	66	85	465
DN32	31	34	72	72	66	85	465
DN40	37	40	72	72	67	85	468
DN50	49	52	72	72	76	126	504
DN65	66	70	97	97	106	126	561
DN80	81	85	107	107	120	140	612
DN100	100	104	135	127	135	151	670

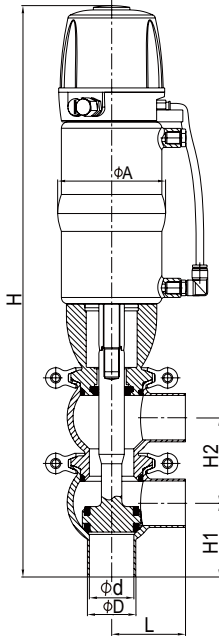


JOV-RHPSAPVCL-11

Intelligent Pneumatic Cut-off Valve

Size	d	D	L	H1	H2	A	H
1"	22.4	25.4	72	72	66	85	429
1.25"	28.8	31.8	72	72	66	85	429
1.5"	35.1	38.1	72	72	67	85	427
2"	47.8	50.8	72	72	76	126	459
2.5"	59.5	63.5	80	75	88	126	477
3"	72.2	76.2	98	98	106	126	506
3.5"	84.9	88.9	107	107	120	140	523
4"	97.6	101.6	135	127	135	151	566

Size	d	D	L	H1	H2	A	H
DN25	25	28	72	72	66	85	429
DN32	31	34	72	72	66	85	429
DN40	37	40	72	72	67	85	427
DN50	49	52	72	72	76	126	459
DN65	66	70	97	97	106	126	506
DN80	81	85	107	107	120	140	523
DN100	100	104	135	127	135	151	566



JOV-RHPSAPVCLL-11

Intelligent Pneumatic Divert Valve

Size	d	D	L	H1	H2	A	H
1"	22.4	25.4	72	72	66	85	496
1.25"	28.8	31.8	72	72	66	85	496
1.5"	35.1	38.1	72	72	67	85	494
2"	47.8	50.8	72	72	76	126	535
2.5"	59.5	63.5	80	75	88	126	565
3"	72.2	76.2	98	98	106	126	612
3.5"	84.9	88.9	107	107	120	140	643
4"	97.6	101.6	135	127	135	151	701

Size	d	D	L	H1	H2	A	H
DN25	25	28	72	72	66	85	496
DN32	31	34	72	72	66	85	496
DN40	37	40	72	72	67	85	494
DN50	49	52	72	72	76	126	535
DN65	66	70	97	97	106	126	612
DN80	81	85	107	107	120	140	643
DN100	100	104	135	127	135	151	701



J&O FLUID CONTROL CO., LIMITED

Address: Binhai ETDZ, 5 Road, Longwan, Wenzhou, China. 325000

Tel: +86 577 8663 2750

Fax: +86 577 8663 2850

Mob./WhatsApp: +86 186 5778 5727

Site: www.sanitary-valves.com

Email: Info@jo-pv.com

With more than 15 years of market experiences, we have become the leading supplier service for pharmaceutical, chemical, food, Beverage and Lithium battery companies



Site Code



WhatsApp Code