

Pressure Handhole With Sight Glass



Product Introduction

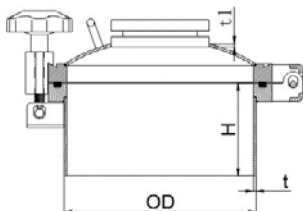
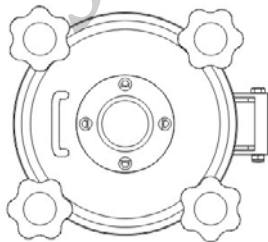
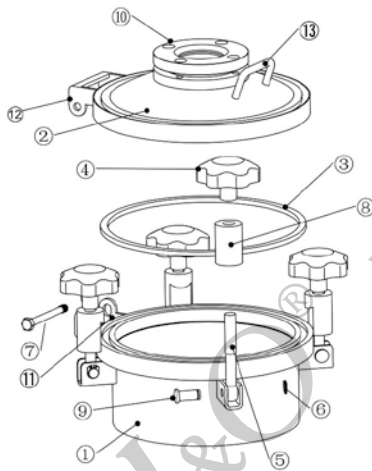
The pressure handhole with sight glass can be used for the control of water, gas, oil and corrosive media in industries such as chemical, petroleum, plumbing, food, and pharmaceuticals.

Sealing Material: EPDM, NBR, silicone, viton

Main Material: SS304, SS316L

Inner Surface Finish: mirror polish, matt polish

Outer Surface Finish: mirror polish, matt polish, sandblasted



JOF-MHR006S

Parts List

No.	Description	Material	Quality
1	Frame	304 / 316L	1
2	Cover	304 / 316L	1
3	Gasket	Silicone	1
4	Handwheel	S304 / ABS / RING	
5	Swing Bolt	304	
6	Pin	304	
7	Hex Bolt	304	1
8	Hub	304	1
9	Snap Ring	304	
10	Sight Glass	304	1
11	Lower Hinge	304	1
12	Upper Hinge	304	1
13	Handle	304	1

Dimensions

Size	OD	H	t	t1
200	206	100	3	2.5
219	219	100	3	2.5
250	256	100	3	2.5
300	306	100	3	2.5

The height (H) and collar (t) can be customized on request