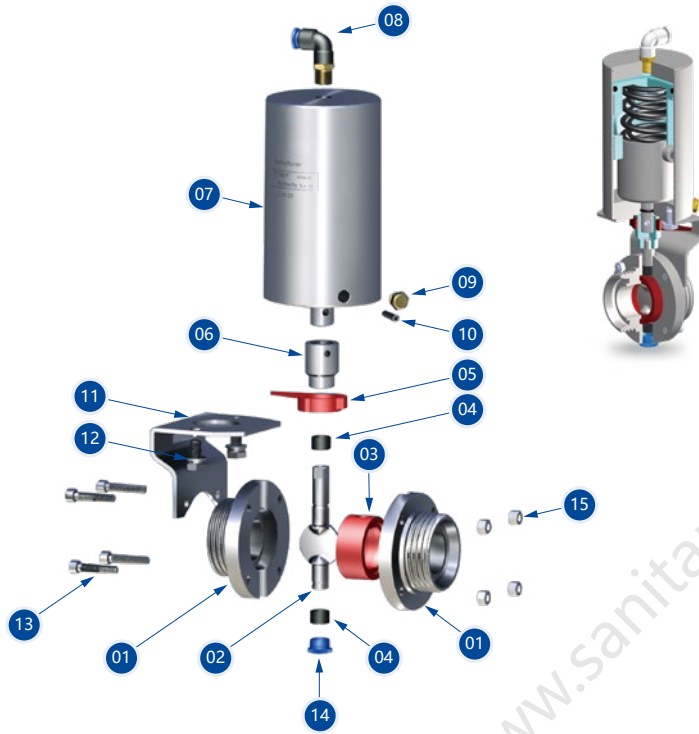




Sanitary Butterfly Valve

Our Core Values: Team, Details, Altruism, Innovation and Embrace Change.

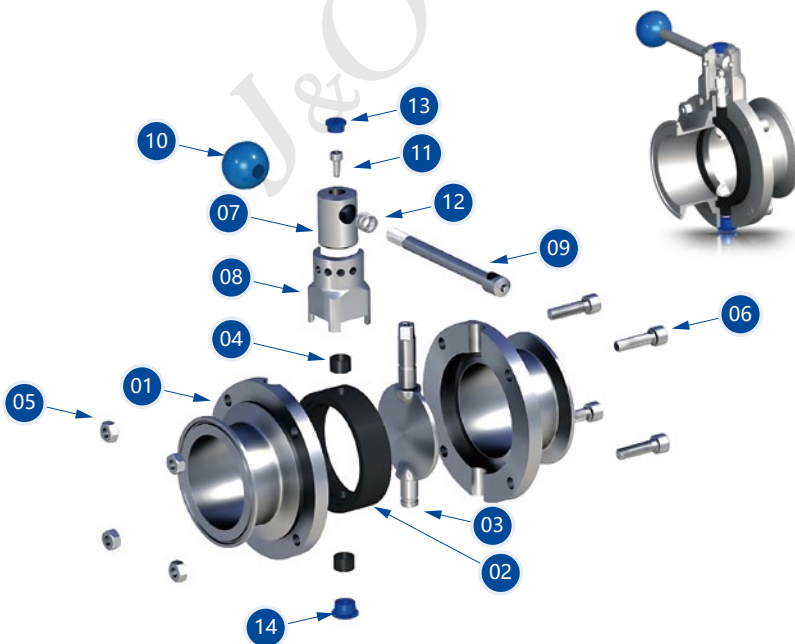
Sanitary Pneumatic Butterfly Valve



Parts List

No	Description
01	Valve Body
02	Dish Plate
03	Seal Ring
04	Bush
05	Direction Pin
06	Connection Sleeve
07	Pneumatic Head
08	Gas-Type Fitting
09	Silencer
10	Dowel
11	Hanger
12	Bolt
13	Bolt
14	Plastic Plug
15	Nut

Sanitary Manual Butterfly Valve

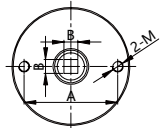
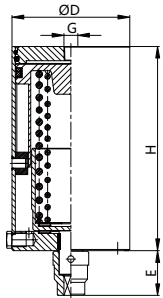


Parts List

No	Description
01	Valve Body
02	Seal Ring
03	Dish Plate
04	Bush
05	Hex Nut
06	Bolt
07	Rotary Head
08	Coat
09	Draw Bar
10	Handle Ball
11	Bolt
12	Spring
13	Plastic Plug
14	Plastic Plug

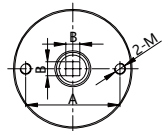
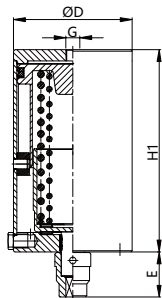
Stainless Steel Pneumatic Actuator

Detachable (single acting)



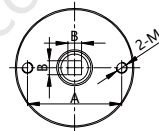
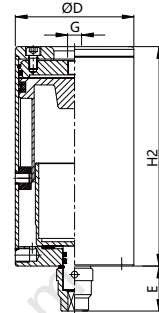
JOA-PS-S

Closed type (single acting)



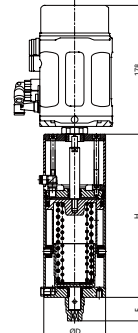
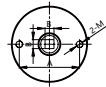
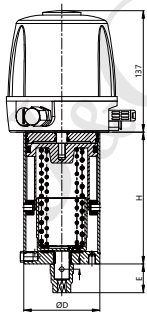
JOA-PS-S

Detachable (double acting)



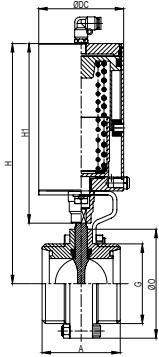
JOA-PS-D

Size	A	B	D	E	G	M	H	H1	H2	Suit for Butterfly Valve	Single-Action	Double-Action
85	68	8×8	85.4	32.5	G1/8"	8	148.5	146	155.5	1"-4"DN25-DN100	35Nm	60Nm
		10×10			R1/8"							
108	68	12×12	108	47	G1/8"	8	178.3	177	185.3	4"-6"DN100-DN150	60Nm	110Nm
		14×14		R1/8"								
133	100	14×14	133	60	G1/8"	10	246.5	245.5	253.5	8"DN200	150Nm	190Nm
		16×16			R1/8"							



Size	A	B	D	E	M	H
85	68	8×8	85.4	32.5	8	148.5
		10×10				
108	68	12×12	108	47	8	178.3
		14×14		42		
133	100	14×14	133	60	10	246.5
		16×16				

Size	A	B	D	E	M	H
85	68	8×8	85.4	32.5	8	225.5
		10×10				
108	68	12×12	108	47	8	260.3
		14×14		42		
133	100	14×14	133	60	10	352.5
		16×16				

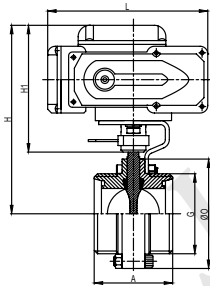


JOV-BFHPS-33-D

Pneumatic Sanitary Butterfly Valve

Size	ØO	G	A	Dc	H	H1
DN15	78.0	Rd34×1/8"	66.0	85.0	222.0	180.5
DN20	78.0	Rd44×1/6"	66.0	85.0	222.0	180.5
DN25	78.0	Rd52×1/6"	68.0	85.0	222.0	180.5
DN32	86.0	Rd58×1/6"	68.0	85.0	226.0	180.5
DN40	90.0	Rd65×1/6"	72.0	85.0	228.0	180.5
DN50	106.0	Rd78×1/6"	76.0	85.0	236.0	180.5
DN65	124.0	Rd95×1/6"	80.0	85.0	245.0	180.5
DN80	139.0	Rd110×1/4"	90.0	85.0	253.0	180.5
DN100	159.0	Rd130×1/4"	100.0	85.0	263.0	180.5
DN125	185.0	Rd160×1/4"	143.0	133.0	415.0	298.0
DN150	215.0	Rd190×1/4"	160.0	133.0	430.0	298.0

Electric Sanitary Butterfly Valve



JOV-BFHE-33-D

Size	ØO	G	A	L	H	H1
DN15	78.0	Rd34×1/8"	66.0	175.5	170.0	131.0
DN20	78.0	Rd44×1/6"	66.0	175.5	170.0	131.0
DN25	78.0	Rd52×1/6"	68.0	175.5	170.0	131.0
DN32	86.0	Rd58×1/6"	68.0	175.5	174.0	131.0
DN40	90.0	Rd65×1/6"	72.0	175.5	176.0	131.0
DN50	106.0	Rd78×1/6"	76.0	175.5	184.0	131.0
DN65	124.0	Rd95×1/6"	80.0	208.0	207.0	145.0
DN80	139.0	Rd110×1/4"	90.0	208.0	214.5	145.0
DN100	159.0	Rd130×1/4"	100.0	208.0	224.5	145.0
DN125	185.0	Rd160×1/4"	143.0	208.0	237.5	145.0
DN150	215.0	Rd190×1/4"	160.0	208.0	252.5	145.0

C-TOP Control Head

Application

The C-top controller with AS communication is designed for automatic valves. It is suitable for pneumatic butterfly valve, reversing valve, ball valve, anti-mixing valve, seat valve and other straight stroke actuators. (maximum travel distance $\leq 62\text{mm}$)

Working Principle

C-Top is a pneumatic control head used to ensure optimal control of our valves. It is compatible with most PLC (programmable logic controller) automation systems, digital communications, or bus (AS-wiring).

It is mounted on the valve's pneumatic actuator. It receives a signal from the control panel or PLC to control the valve and sends the signal to the PLC or control panel to indicate its status/position.

C-Top is a signal and instruction device that contains signals and instructions for controlling all types of process valves (pistons) with the following functions:

Pneumatic and electrical control of valves;

Position indicator with feedback;

(AS-Interface) Possibility of bus communication;

C-top has three signal light-emitting diodes that can provide information about valve status at any time:

Green light: Indicates that the valve is in an open position

Red light: Indicates that the valve is in the closed position

Yellow light: Indicates that position 3 has been activated

(e.g. anti-mixing valve)

Material

Base: reinforced PPO black

Top cover: clear, blue

Seal: EPDM

Weight: 0.5 KG



C-TOP Control Head

Pneumatic Parts

Air inlet: insert connector for G1/8"-6/4 pipes

Exhaust outlet: G1/8" - silencer

Air outlet: insert connector or plug for G1/8"-6/4 pipes

Medium: compressed air

Temperature: $\leq 50^{\circ}\text{C}$

Pressure of work: 0.15 to 0.7 Mpa (22-102 PSI)

Traffic: 200NI/min (0.6Mpa, 20°C, 0.1Mpa Pressure range)

Operation:

Minimum stroke induction height 30mm

Maximum stroke induction height 92mm

Minimum operating height: 18mm

Solenoid valve

Up to three solenoid valves are available

Type: one solenoid valve (normally open/normally closed)

Two solenoid valves (double acting)

Three solenoid valves (anti-mixing valve)

Air pressure: 0.15 to 0.7 Mpa (22-102 PSI)

Power: DC 0.55W

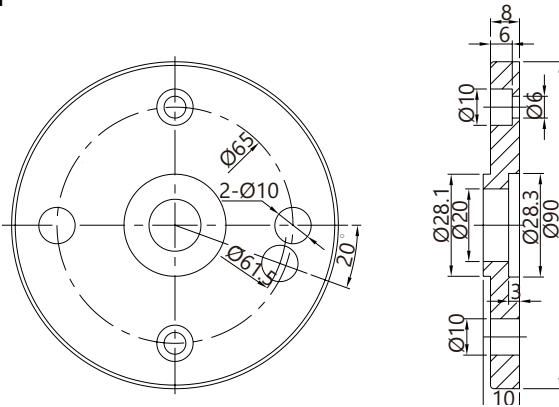
DC: 1.9VA

Reaction time: $\leq 25\text{ms}$

Optical index: red

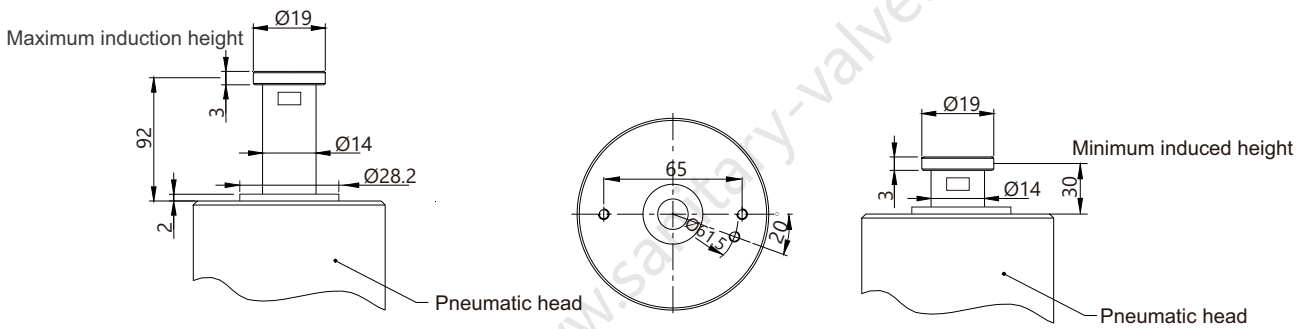


Installation



Adapter recommended size

Inner hexagon screw M5 x 10



Connection

