

C-TOP Control Head

Application

The C-top controller with AS communication is designed for automatic valves. It is suitable for pneumatic butterfly valve, reversing valve, ball valve, anti-mixing valve, seat valve and other straight stroke actuators. (maximum travel distance $\leq 62\text{mm}$)

Working Principle

C-Top is a pneumatic control head used to ensure optimal control of our valves. It is compatible with most PLC (programmable logic controller) automation systems, digital communications, or bus (AS-wiring).

It is mounted on the valve's pneumatic actuator. It receives a signal from the control panel or PLC to control the valve and sends the signal to the PLC or control panel to indicate its status/position.

C-Top is a signal and instruction device that contains signals and instructions for controlling all types of process valves (pistons) with the following functions:

Pneumatic and electrical control of valves;

Position indicator with feedback;

(AS-Interface) Possibility of bus communication;

C-top has three signal light-emitting diodes that can provide information about valve status at any time:

Green light: Indicates that the valve is in an open position

Red light: Indicates that the valve is in the closed position

Yellow light: Indicates that position 3 has been activated

(e.g. anti-mixing valve)

Material

Base: reinforced PPO black

Top cover: clear, blue

Seal: EPDM

Weight: 0.5 KG



C-TOP Control Head

Pneumatic Parts

Air inlet: insert connector for G1/8"-6/4 pipes

Exhaust outlet: G1/8" - silencer

Air outlet: insert connector or plug for G1/8"-6/4 pipes

Medium: compressed air

Temperature: $\leq 50^{\circ}\text{C}$

Pressure of work: 0.15 to 0.7 Mpa (22-102 PSI)

Traffic: 200NI/min (0.6Mpa, 20°C, 0.1Mpa Pressure range)

Operation:

Minimum stroke induction height 30mm

Maximum stroke induction height 92mm

Minimum operating height: 18mm

Solenoid valve

Up to three solenoid valves are available

Type: one solenoid valve (normally open/normally closed)

Two solenoid valves (double acting)

Three solenoid valves (anti-mixing valve)

Air pressure: 0.15 to 0.7 Mpa (22-102 PSI)

Power: DC 0.55W

DC: 1.9VA

Reaction time: $\leq 25\text{ms}$

Optical index: red

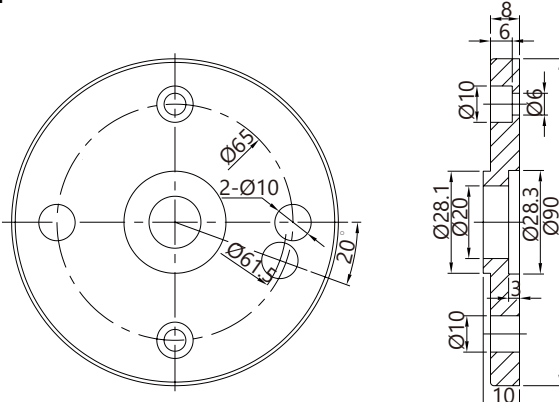


Sanitary Butterfly Valve

J&O FLUID CONTROL CO., LIMITED

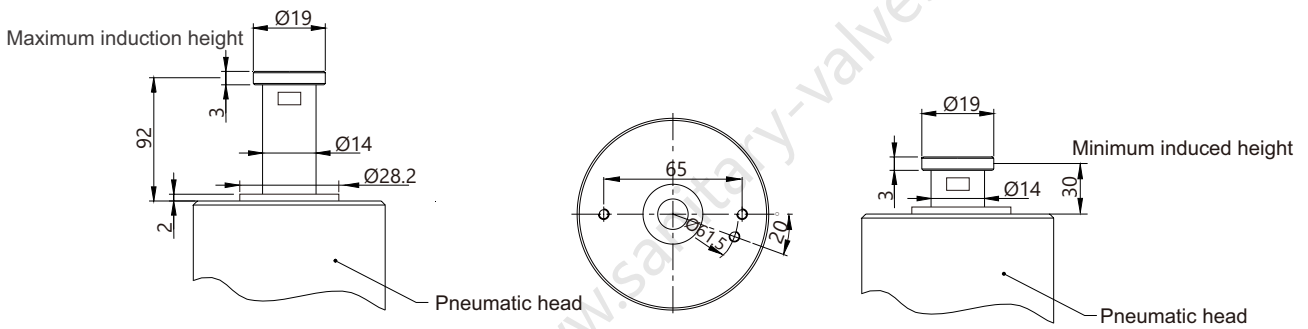


Installation



Adapter recommended size

Inner hexagon screw M5 x 10



Connection

