

J&O[®]

J&O FLUID CONTROL CO., LIMITED

Sanitary Check Valve

www.sanitary-valves.com

J&O[®]

J&O BRAND, RELIABLE QUALITY FOR YOU
CE&ISO 9001:2015 CERTIFIED ACQUIRED
15 YEARS FLUID SOLUTION EXPERIENCES
EXPORTING TO OVER 40 COUNTRIES
EXCELLENT VALUE-ADDED SERVICE.



We focus on Details
We Make Different
J&O Brand,that can be trust.

J&O[®]

www.sanitary-valves.com

J&O PROFILE

J&O Fluid Control Co., Limited established in 2008, a leading Manufacturer and Supplier of high quality hygienic stainless steel flow control equipments.

J&O services the Food, Dairy, Beverage, Cosmetic, Pharmaceutical, Biological engineering, Lithium battery, Semiconductor, Water treatment, Petroleum and Chemical industries.

J&O product series consists of sanitary stainless steel Valves & Fittings:

>>Sanitary Stainless Steel Pumps

>>Sanitary Stainless Steel Valves

>>Stainless Steel Tank Accessories

>>Stainless Steel Pipe Fittings

>>Stainless Steel Flanges

>>Stainless Steel Double Ferrule Tube Fittings

>>Hydraulic Pneumatic Quick Coupling

>>Carbon Steel Pipe Fittings

>>Customized Valve and Fittings

Through the years, "Perfection" has been the only goal we pursue. In order to satisfy customers, with continuous efforts, we are working towards perfection through a Quality Assurance System. With persistence and effort, we have become one of the leading enterprises of sanitary valves and pipe fittings in China.

Our organization is dedicated to provide our customers with best service of every aspect. We strongly believe, that the friendship and trust given by our customers, is the great treasure we have.

The logo features the letters 'J&O' in a large, bold, blue serif font. A registered trademark symbol (®) is positioned to the upper right of the letter 'O'. A faint, diagonal watermark reading 'www.sanitary-valves.com' is visible across the page behind the logo.

J&O FLUID CONTROL CO., LIMITED

Certificate

ISO9001



**QUALITY MANAGEMENT SYSTEM
CERTIFICATE**

Certificate No. : 20221Q21325R0S

We hereby certify that the organization:
WENZHOU J&O FLUID CONTROL CO., LTD
Unified social credit code: 91330303307697906R

is in conformity with Quality Management System Standard:
GB/T19001-2016 idt ISO9001:2015

The certificate is valid to the following products/service:
**Export of centrifugal pumps,
stainless steel valves and pipe fittings**

Registration Address: ROOM 901-1, 4TH BUILDING, CAIZHI MANSION,
YONGZHONG STREET, LONGWAN, WENZHOU, PROVINCE CHINA
Audit Address: Room 602, Metal Building, Yongzhong Street, Longwan District,
Wenzhou city, Zhejiang Province, China.






Date of Issue: 30-11-2021
Date of Expiry: 29-11-2024
Date of Initial: 30-11-2021

Issued By: 

The audit of validity of the certificate, the certificate shall be at least once a year.
The effectiveness of the Certificate is subject to QR Code in the lower left corner.
Meanwhile, you can search the website of certification body: www.cqcq.org.cn
or search the CNCA website: www.cnca.gov.cn

ZHEJIANG QUANPIN CERTIFICATION CO.,LTD.
Room 602, Metal Building 1, No. 74, Puyao Road, Puyao Street, Dinghai Street, Hangzhou City,
Zhejiang Province, China 310053 913303 913303 Website: <http://www.cqcq.org.cn>

ICR

VERIFICATION OF CONFORMITY

No.: ICR Polska/VC/HA221005

1/16/2022

Name and address of Applicant: Wenzhou J&O Fluid Control Co., Ltd
Room 901-1, 4TH Building, Caizhi Mansion, Yongzhong Street, Longwan, Wenzhou,
China

Name and address of manufacturer: Wenzhou J&O Fluid Control Co., Ltd
Room 901-1, 4TH Building, Caizhi Mansion, Yongzhong Street, Longwan, Wenzhou,
China

Product name: Butterfly Valve, Ball Valve, Globe Valve, Check Valve, Gate Valve,
Control Valve, Diaphragm Valve, Angle Seat Valve, Tank Bottom Valve,
Safety Valve, Pressure Relief Valve, Sampling Valve, Reversing Valve,
Discharge Valve, Plug Valve, PTFE Lined Valve, PFA Lined Valve,
FEP Lined Valve

Product types: n/a
Product trademark: n/a

This document confirms that the product sample meets the requirements of the following standards:

- Related with Directive 2014/68/EU:

EN 12266-1:2003	as well as:	DIN 3257-1:1989
EN 1964:2010		DIN EN 593:2018
EN 13709:2010		BS 1873:1975

The assessment process has been carried out in accordance with individual rules and conditions agreed with the applicant. Evaluation has been carried out in accordance with:

Test reports: TCT221021220-PED
Tests conducted by: Guojingdong TCT Testing Laboratory Ltd.

Issue date: 26.10.2022
Expiration date: 25.10.2027

Remarks:
This verification of conformity refers to the above mentioned product and its conformity in regards of above mentioned standard(EU) was proven on test sample.
This verification of conformity was issued on voluntary basis and does not imply identity of essential requirements, assessment of the series-production or any other restricted/limited bodies conformity assessment procedure appropriate for the product.

CE marking remarks:
mark is not sanctioned by the following emblem of conformity mark given here as reference, can be obtained by the manufacturer after applying all essential requirements from relevant directives.
document status can be checked <https://icr.pl/portal/verification>



ICR Polska Co. Ltd
www.icrpolska.com
icrp@icrp.pl



Director: Rafal Kalinowski
Warsaw, 26.10.2022



Testing Machine



Actuator Testing



Helium Leak Detector



Pressure Test for Large Valve



Pressure Test for Small Valve

Plant & Producing





Sanitary Check Valve

Our Core Values: Team, Details, Altruism, Innovation and Embrace Change.

Check Valve/ No Return Valve

Materials

Steel parts: Stainless steel SS316(L)

Seal rings: EPDM Rubber or Silicone/Viton (FKM)

Finish: $OD \leq 0.8$, $ID \leq 0.8$ or $0.4\mu m$

Connections

The valve is available with welding ends for tubing according to 3A, SMS, BS, DIN 11851

Technical data

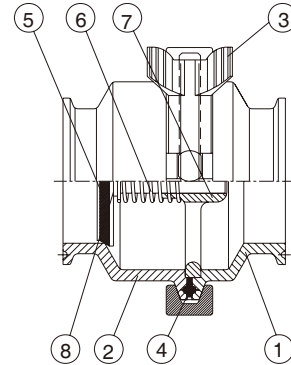
Required different pressure for opening the valve fitted in a vertical pipe, as shown in fig.3,

the open pressure Max. product pressure: 1000kpa(10bar)

Material grades

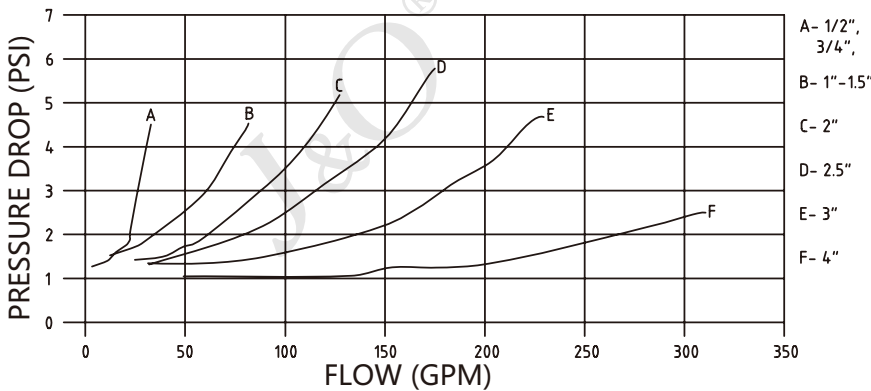
Gasket-Body:EPDM/Silicone/Viton (FKM)/NBR/PTFE

Flow Area-EPDM/Silicone/Viton (FKM)



NO.	Name
1	Disc
2	ST.ST Spring
3	Seal-Ring
4	13PG
5	Clamp
6	Long Body
7	Short Body
8	Flow Support Plate

SPRING CHECK VALVE flow rate (fig 3)



Note:
For the diagram the following applies:
Medium: Water(20°C)

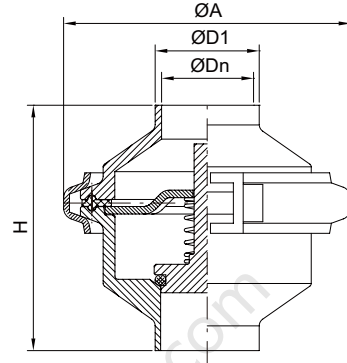
Oper Pressure

(PSI)

1/2"	3/4"	1"	1 1/2 "	2"	2 1/2 "	3"	4"
0.5	0.5	3.0	1.6	0.6	1.3	0.8	0.9

Open Pressure (fig. 1)

Weld Check Valve



JOV-CH001-11

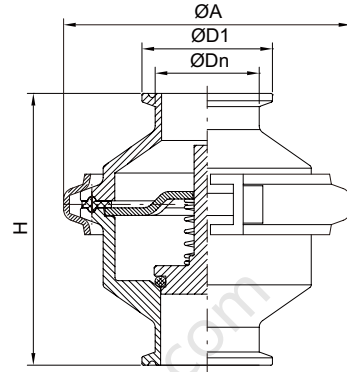
DIN

Size	DN	D1	A	H
DN15	15	18	87	81
DN20	19	22	87	81
DN25	25	28	87	81
DN32	31	34	87	81
DN40	37	40	87	81
DN50	49	52	100	91
DN65	66	70	115	95
DN80	81	85	128	101
DN100	100	104	164	110
DN125	125	129	195	130
DN150	150	154	216	150

SMS/3A

Size	DN	D1	A	H
1/2"	9.4	9.4	87	81
3/4"	15.8	15.8	87	81
1"	22.1	22.1	87	81
1 1/4"	28.5	28.5	87	81
1 1/2"	34.8	34.8	87	81
2"	47.5	47.5	100	91
2 1/2"	60.2	60.2	115	95
3"	72.9	72.9	128	101
4"	97.6	97.6	164	110

Tri-Clamp Check Valve



JOV-CH001-22

DIN

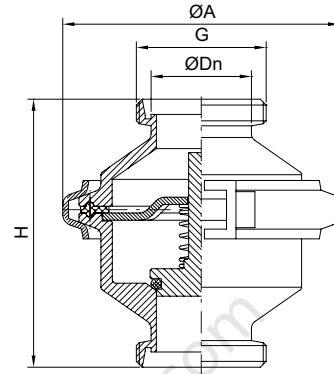
Size	DN	D1	A	H
DN15	15	34	87	106.4
DN20	19	34	87	106.4
DN25	25	50.5	87	106.4
DN32	31	50.5	87	106.4
DN40	37	50.5	87	106.4
DN50	49	64	100	116.4
DN65	66	91	115	120.4
DN80	81	106	128	126.4
DN100	100	119	164	141.8
DN125	125	145	180	150
DN150	150	154	216	158



SMS/3A

Size	DN	D1	A	H
1/2"	9.4	25.4	87	106.4
3/4"	15.8	25.4	87	106.4
1"	22.1	50.5	87	106.4
1 1/4"	28.5	50.5	87	106.4
1 1/2"	34.8	50.5	87	106.4
2"	47.5	64	100	116.4
2 1/2"	60.2	77.5	115	120.4
3"	72.9	91	128	126.4
4"	97.6	119	164	141.8

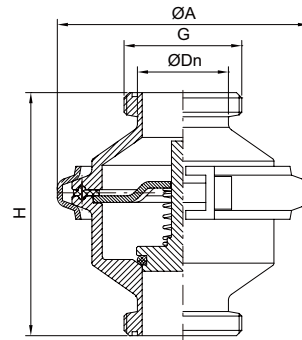
Thread Check Valve



JOV-CH001-33-D

DIN

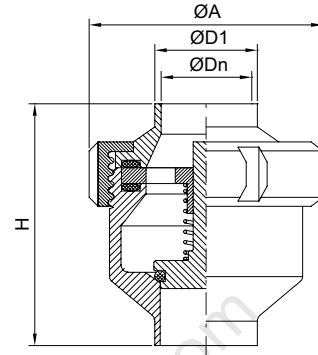
Size	Dn	A	H	G
DN15	15	87	103	RD34×1/8
DN20	19	87	107	RD44×1/6
DN25	25	87	109	RD52×1/6
DN32	31	87	111	RD58×1/6
DN40	37	87	111	RD65×1/6
DN50	49	100	129	RD78×1/6
DN65	66	115	139	RD95×1/6
DN80	81	128	151	RD110×1/4
DN100	100	164	175	RD130×1/4



SMS

Size	Dn	A	H	G
3/4"	15.8	87	107	RD36×1/8
1"	22.1	87	107	RD40×1/6
1 1/4"	28.5	87	107	RD60×1/6
1 1/2"	34.8	87	111	RD70×1/6
2"	47.5	100	127	RD85×1/6
2 1/2"	60.2	115	141	RD98×1/6
3"	72.9	128	151	RD105×1/6
3 1/2"	85	164	153	RD125×1/4
4"	97.6	164	173	RD132×1/4

Union Type Welding Check Valve



JOV-CH003-11

DIN

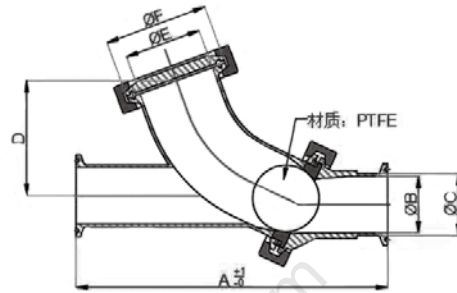
Size	DN	D1	A	H
DN25	25	28	63	70
DN32	31	34	78	75
DN40	37	40	78	75
DN50	49	52	92	80
DN65	66	70	112	90
DN80	81	85	148	115
DN100	100	104	178	147



SMS/3A

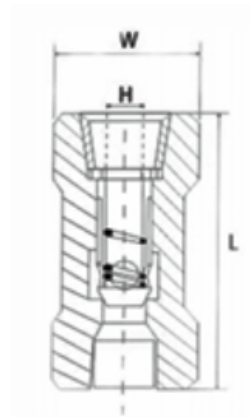
Size	DN	D1	A	H
1"	22.1	25.4	63	70
1 1/4"	28.5	31.8	78	75
1 1/2"	34.8	38.1	78	75
2"	47.5	50.8	92	85
2 1/2"	60.2	63.5	112	90
3"	72.9	76.2	148	100
4"	97.6	101.6	178	155

Sanitary Ball Flow Type Check Valve



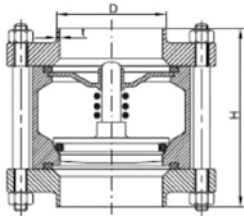
Size	A	B	c	D	E	F
1 1/2"	190.5	34.8	38.1	83.82	47.5	64
2"	215.9	47.5	50.8	99.06	59.3	77.5
2 1/2"	254	60.2	63.5	114.3	72.9	91
3"	292.1	72.9	76.2	134.62	97.4	119

High Pressure Check Valve 6000PSI

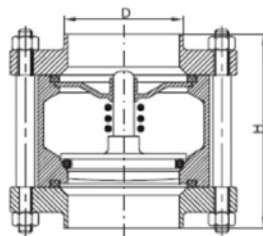
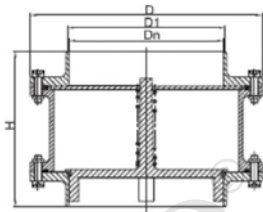


Size	L	H	W
1/4	59	12	20
3/8	61	15.5	22
1/2	67	19	27
3/4	75	24	32
1	100	31	40
1-1/4	103	38.5	50
1-1/2	109	45	60
2	111	56	72

Sanitary Flange Type Check Valve



JOV-CH004-11-D



Size	H	D		t
DN15	70	18	19	1.5
DN20	70	22	23	1.5
DN25	70	28	29	1.5
DN32	75	34	35	1.5
DN40	75	40	41	1.5
DN50	85	52	53	1.5
DN65	95	70	-	2.0
DN80	105	85	-	2.0
DN100	120	104	-	2.0

Size	H	D	D1	Dn
DN125	150	205	129	125
DN150	156	235	154	150
DN200	200	300	204	200

Size	H	D
3/4"	70	19
1"	70	25.4
1 1/4"	75	31.8
1 1/2"	75	38.1
2"	85	50.8
2 1/2"	95	63.5
3"	105	76.2
3 1/2"	105	89
4"	120	101.6



J&O FLUID CONTROL CO., LIMITED

Address: Binhai ETDZ, 5 Road, Longwan, Wenzhou, China. 325000

Tel: +86 577 8663 2750

Fax: +86 577 8663 2850

Mob./WhatsApp: +86 186 5778 5727

Site: www.sanitary-valves.com

Email: Info@jo-pv.com

With more than 15 years of market experiences, we have become the leading supplier service for pharmaceutical, chemical, food, Beverage and Lithium battery companies



Site Code



WhatsApp Code